



Table of torques								
Width (mm)	Maximum Diameter (mm)	Parameter	Material	W1	W2	W3	W4	W5
7.5	All size	Recommended mounting torque Min			2.5	2.5	2.5	2.5
		Recommended mounting torque Max			3.5	3.5	3.5	3.5
		No-loading torque			≤0.8	≤0.8	≤0.8	≤0.8
		Breaking torque			≤5.0	≤5.0	≤5.0	≤5.0
9	≤25	Recommended mounting torque Min		5.0	6.5	6.5	6.5	6.5
		Recommended mounting torque Max		6.0	7.5	7.5	7.5	7.5
		No-loading torque		≤0.8	≤0.5	≤0.5	≤0.5	≤0.5
		Breaking torque		≤8.5	≤9.5	≤9.5	≤9.5	≤9.5
	>25	Recommended mounting torque Min		6.0	7.5	7.5	7.5	7.5
		Recommended mounting torque Max		7.0	8.5	8.5	8.5	8.5
		No-loading torque		≤0.8	≤0.5	≤0.5	≤0.5	≤0.5
		Breaking torque		≤9.0	≤10.5	≤10.5	≤10.5	≤10.5
12	≤25	Recommended mounting torque Min		6.0	7.0	7.0	7.0	7.0
		Recommended mounting torque Max		7.0	8.0	8.0	8.0	8.0
		No-loading torque		≤0.8	≤0.5	≤0.5	≤0.5	≤0.5
		Breaking torque		≤9.0	≤10.5	≤10.5	≤10.5	≤10.5
	>25	Recommended mounting torque Min		7.0	9.0	9.0	9.0	9.0
		Recommended mounting torque Max		8.0	10.0	10.0	10.0	10.0
		No-loading torque		≤0.8	≤0.5	≤0.5	≤0.5	≤0.5
		Breaking torque		≤10.0	≤12.0	≤12.0	≤12.0	≤12.0

Corrosion resistance test	
Material	Corrosion resistance in salt spray testing
W1	Min. 144 h
W2	Min. 72 h
W3	Min. 200 h
W4	Min. 400 h
W5	Min. 1000 h
*Max 10% base metal corrosion permissible	



## Germany bias spring hose clamp

This type of clamp can store a large amount of retightening force during fastening through its built-in radial spring, which can maintain long-term radial tightening force. It is especially suitable for the connection of hoses with large temperature changes. The built-in spring and hose pipe shrinks in the opposite direction can make sure the best connection and sealing effect for a long time.

### Advantages:

Automatic retensioning effect when the hose is loose;

Improve sealing reliability in a wide range of temperature.

### Applications:

Automobile industry, hardware, construction, water supply and drainage, fire protection and machinery manufacturing industries;

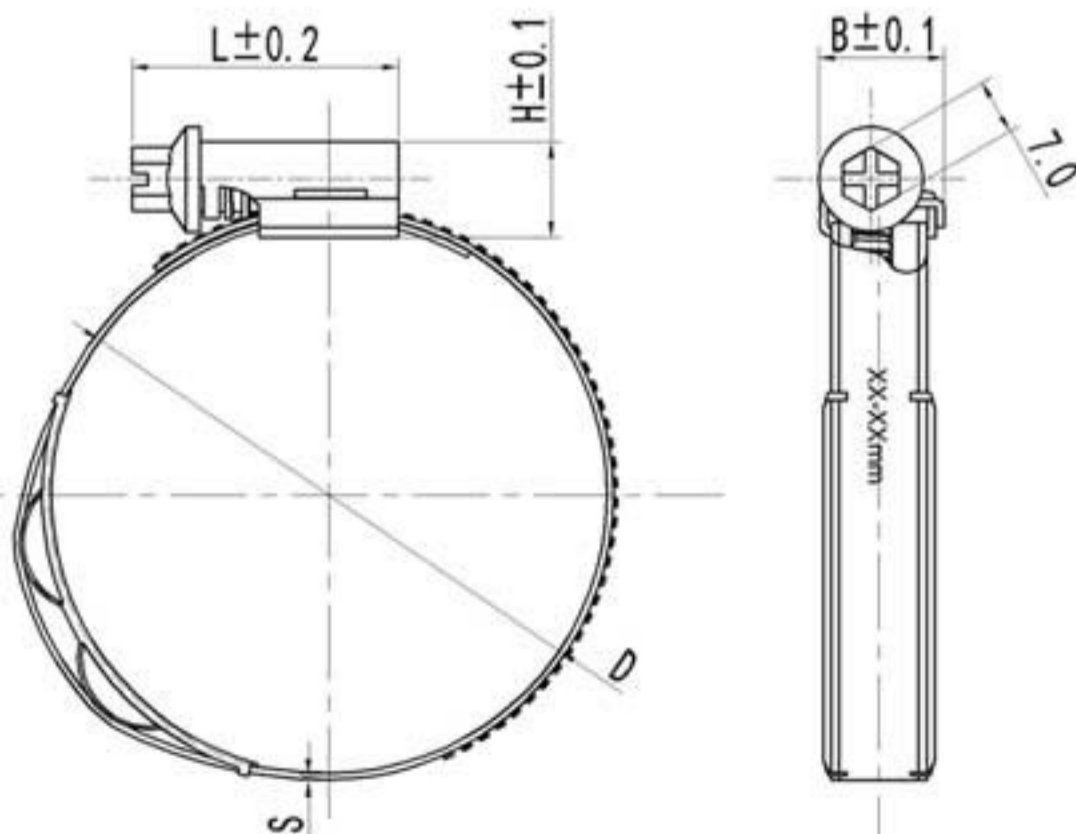
Used in transportation machinery manufacturing and other fields that have high requirements for mechanical fastening.

**Materials:** W2,W3,W4,W5

**Bandwidths:** 9mm,12mm

### Specifications & ordering information

Width (mm)	Designation	Clamping ranges		L (mm)	B (mm)	H (mm)	S (mm)	Product No.			
		D (mm)	D (in)					W2	W3	W4	W5
9	NARAN ST 12-20/9	12-22	1/2 - 13/16	25.0	12.7	11.0	0.7	0398 201 020	0398 301 020	0398 401 020	0398 501 020
	NARAN ST 16-25/9	16-25	5/8 - 1	25.0	12.7	11.0	0.7	0398 201 025	0398 301 025	0398 401 025	0398 501 025
	NARAN ST 20-32/9	20-32	13/16 - 1 1/4	25.0	12.7	11.0	0.7	0398 201 032	0398 301 032	0398 401 032	0398 501 032
	NARAN ST 25-40/9	25-40	1 - 1 9/16	25.0	12.7	11.0	0.7	0398 201 040	0398 301 040	0398 401 040	0398 501 040
	NARAN ST 32-50/9	32-50	1 1/4 - 2	25.0	12.7	11.0	0.7	0398 201 050	0398 301 050	0398 401 050	0398 501 050
	NARAN ST 40-60/9	40-60	1 9/16 - 2 3/8	25.0	12.7	11.0	0.7	0398 201 060	0398 301 060	0398 401 060	0398 501 060
	NARAN ST 50-70/9	50-70	2 - 2 3/4	25.0	12.7	11.0	0.7	0398 201 070	0398 301 070	0398 401 070	0398 501 070
	NARAN ST 60-80/9	60-80	2 3/8 - 3 1/8	25.0	12.7	11.0	0.7	0398 201 080	0398 301 080	0398 401 080	0398 501 080
	NARAN ST 70-90/9	70-90	2 3/4 - 3 9/16	25.0	12.7	11.0	0.7	0398 201 090	0398 301 090	0398 401 090	0398 501 090
	NARAN ST 80-100/9	80-100	3 1/8 - 3 15/16	25.0	12.7	11.0	0.7	0398 201 100	0398 301 100	0398 401 100	0398 501 100
	NARAN ST 90-110/9	90-110	3 9/16 - 4 5/16	25.0	12.7	11.0	0.7	0398 201 110	0398 301 110	0398 401 110	0398 501 110
	NARAN ST 100-120/9	100-120	3 15/16 - 4 3/4	25.0	12.7	11.0	0.7	0398 201 120	0398 301 120	0398 401 120	0398 501 120
	NARAN ST 110-130/9	110-130	4 5/16 - 5 1/8	25.0	12.7	11.0	0.7	0398 201 130	0398 301 130	0398 401 130	0398 501 130
	NARAN ST 120-140/9	120-140	4 3/4 - 5 1/2	25.0	12.7	11.0	0.7	0398 201 140	0398 301 140	0398 401 140	0398 501 140
	NARAN ST 130-150/9	130-150	5 1/8 - 5 15/16	25.0	12.7	11.0	0.7	0398 201 150	0398 301 150	0398 401 150	0398 501 150
	NARAN ST 140-160/9	140-160	5 1/2 - 6 5/16	25.0	12.7	11.0	0.7	0398 201 160	0398 301 160	0398 401 160	0398 501 160
	NARAN ST 150-170/9	150-170	5 15/16 - 6 11/16	25.0	12.7	11.0	0.7	0398 201 170	0398 301 170	0398 401 170	0398 501 170
	NARAN ST 160-180/9	160-180	6 5/16 - 7 1/16	25.0	12.7	11.0	0.7	0398 201 180	0398 301 180	0398 401 180	0398 501 180
NARAN ST 170-190/9	170-190	6 11/16 - 7 1/2	25.0	12.7	11.0	0.7	0398 201 190	0398 301 190	0398 401 190	0398 501 190	
NARAN ST 180-200/9	180-200	7 1/16 - 7 7/8	25.0	12.7	11.0	0.7	0398 201 200	0398 301 200	0398 401 200	0398 501 200	
12	NARAN ST 16-25/12	16-27	5/8 - 1	33.5	16.5	12.0	0.8	0398 202 025	0398 302 025	0398 402 025	0398 502 025
	NARAN ST 20-32/12	20-32	13/16 - 1 1/4	33.5	16.5	12.0	0.8	0398 202 032	0398 302 032	0398 402 032	0398 502 032
	NARAN ST 25-40/12	25-40	1 - 1 9/16	33.5	16.5	12.0	0.8	0398 202 040	0398 302 040	0398 402 040	0398 502 040
	NARAN ST 32-50/12	32-50	1 1/4 - 2	33.5	16.5	12.0	0.8	0398 202 050	0398 302 050	0398 402 050	0398 502 050
	NARAN ST 40-60/12	40-60	1 9/16 - 2 3/8	33.5	16.5	12.0	0.8	0398 202 060	0398 302 060	0398 402 060	0398 502 060
	NARAN ST 50-70/12	50-70	2 - 2 3/4	33.5	16.5	12.0	0.8	0398 202 070	0398 302 070	0398 402 070	0398 502 070
	NARAN ST 60-80/12	60-80	2 3/8 - 3 1/8	33.5	16.5	12.0	0.8	0398 202 080	0398 302 080	0398 402 080	0398 502 080
	NARAN ST 70-90/12	70-90	2 3/4 - 3 9/16	33.5	16.5	12.0	0.8	0398 202 090	0398 302 090	0398 402 090	0398 502 090
	NARAN ST 80-100/12	80-100	3 1/8 - 3 15/16	33.5	16.5	12.0	0.8	0398 202 100	0398 302 100	0398 402 100	0398 502 100
	NARAN ST 90-110/12	90-110	3 9/16 - 4 5/16	33.5	16.5	12.0	0.8	0398 202 110	0398 302 110	0398 402 110	0398 502 110
	NARAN ST 100-120/12	100-120	3 15/16 - 4 3/4	33.5	16.5	12.0	0.8	0398 202 120	0398 302 120	0398 402 120	0398 502 120
	NARAN ST 110-130/12	110-130	4 5/16 - 5 1/8	33.5	16.5	12.0	0.8	0398 202 130	0398 302 130	0398 402 130	0398 502 130
	NARAN ST 120-140/12	120-140	4 3/4 - 5 1/2	33.5	16.5	12.0	0.8	0398 202 140	0398 302 140	0398 402 140	0398 502 140
	NARAN ST 130-150/12	130-150	5 1/8 - 5 15/16	33.5	16.5	12.0	0.8	0398 202 150	0398 302 150	0398 402 150	0398 502 150
	NARAN ST 140-160/12	140-160	5 1/2 - 6 5/16	33.5	16.5	12.0	0.8	0398 202 160	0398 302 160	0398 402 160	0398 502 160
	NARAN ST 150-170/12	150-170	5 15/16 - 6 11/16	33.5	16.5	12.0	0.8	0398 202 170	0398 302 170	0398 402 170	0398 502 170
	NARAN ST 160-180/12	160-180	6 5/16 - 7 1/16	33.5	16.5	12.0	0.8	0398 202 180	0398 302 180	0398 402 180	0398 502 180
	NARAN ST 170-190/12	170-190	6 11/16 - 7 1/2	33.5	16.5	12.0	0.8	0398 202 190	0398 302 190	0398 402 190	0398 502 190
NARAN ST 180-200/12	180-200	7 1/16 - 7 7/8	33.5	16.5	12.0	0.8	0398 202 200	0398 302 200	0398 402 200	0398 502 200	





## Germany type hose clamp

It conforms to the DIN 3017 standard. clamp has a wide range of adjustment. Clamp has uniform stress during tightening, and has high intensity of torsion and compression. It is used to fasten hose on narrow space of pipeline. Besides anti-corrosion function, it can protect the surface of hose from damage. with smooth screwing and reusing function, it is the ideal fastener for all kinds of soft and hard pipe connection.

### Advantages:

High strength of torsion and compression

Crimping design protect the hose

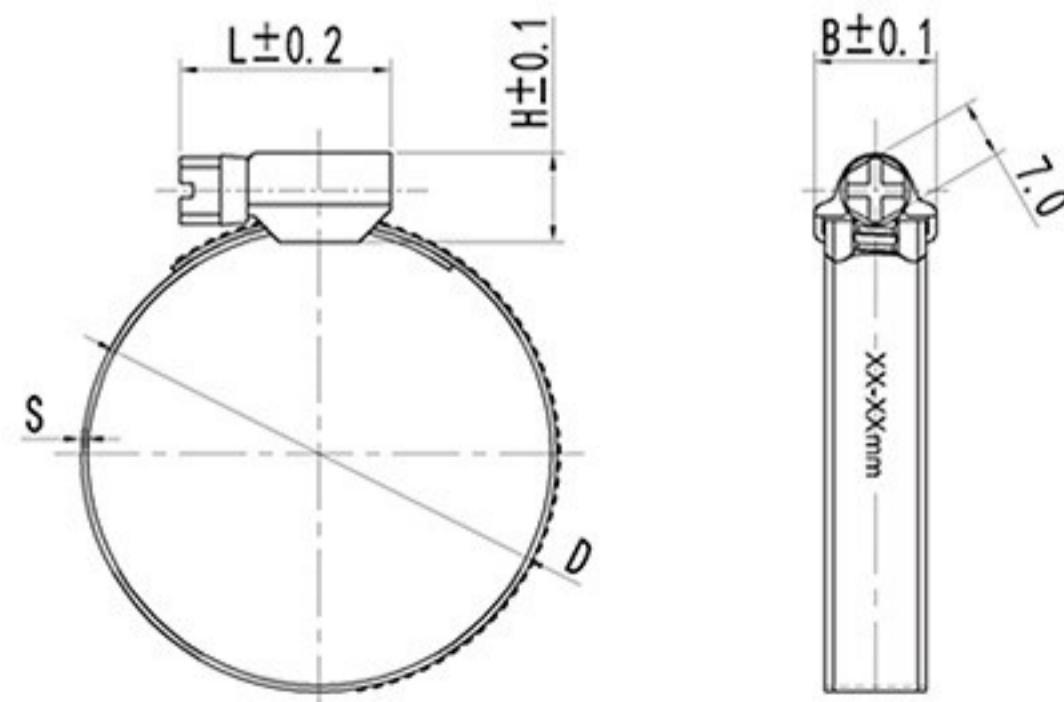
Adjustment range is large and can be customized according to requirements.

### Applications:

Industry, agriculture, chemical machinery and fluid transportation, etc.

**Materials:** W1,W2,W4,W5

**Bandwidths:** 9mm, 12mm



Specifications & ordering information												
Width (mm)	Designation	Clamping ranges		L (mm)	B (mm)	H (mm)	S (mm)	S(W1) (mm)	Product No.			
		D (mm)	D (in)						W1	W2	W4	W5
9	BVRGRD GT 8-12/9	8-12	5/16-1/2	22.0	11.5	10.5	0.6	0.75	0589 101 012	0589 201 012	0589 401 012	0589 501 012
	BVRGRD GT 10-16/9	10-16	3/8-5/8	22.0	11.5	10.5	0.6	0.75	0589 101 016	0589 201 016	0589 401 016	0589 501 016
	BVRGRD GT 12-20/9	12-20	1/2-13/16	22.0	11.5	10.5	0.6	0.75	0589 101 020	0589 201 020	0589 401 020	0589 501 020
	BVRGRD GT 16-25/9	16-25	5/8-1	22.0	11.5	10.5	0.6	0.75	0589 101 025	0589 201 025	0589 401 025	0589 501 025
	BVRGRD GT 20-32/9	20-32	13/16-1 1/4	25.0	11.5	10.5	0.6	0.75	0589 101 032	0589 201 032	0589 401 032	0589 501 032
	BVRGRD GT 25-40/9	25-40	1-1 9/16	25.0	11.5	10.5	0.6	0.75	0589 101 040	0589 201 040	0589 401 040	0589 501 040
	BVRGRD GT 32-50/9	32-50	1 1/4-2	25.0	11.5	10.5	0.6	0.75	0589 101 050	0589 201 050	0589 401 050	0589 501 050
	BVRGRD GT 40-60/9	40-60	1 9/16-2 3/8	25.0	11.5	10.5	0.6	0.75	0589 101 060	0589 201 060	0589 401 060	0589 501 060
	BVRGRD GT 50-70/9	50-70	2-2 3/4	25.0	11.5	10.5	0.6	0.75	0589 101 070	0589 201 070	0589 401 070	0589 501 070
	BVRGRD GT 60-80/9	60-80	2 3/8-3 1/8	25.0	11.5	10.5	0.6	0.75	0589 101 080	0589 201 080	0589 401 080	0589 501 080
	BVRGRD GT 70-90/9	70-90	2 3/4-3 9/16	25.0	11.5	10.5	0.6	0.75	0589 101 090	0589 201 090	0589 401 090	0589 501 090
	BVRGRD GT 80-100/9	80-100	3 1/8-3 15/16	25.0	11.5	10.5	0.6	0.75	0589 101 100	0589 201 100	0589 401 100	0589 501 100
	BVRGRD GT 90-110/9	90-110	3 9/16-4 5/16	25.0	11.5	10.5	0.6	0.75	0589 101 110	0589 201 110	0589 401 110	0589 501 110
	BVRGRD GT 100-120/9	100-120	3 15/16-4 3/4	25.0	11.5	10.5	0.6	0.75	0589 101 120	0589 201 120	0589 401 120	0589 501 120
	BVRGRD GT 110-130/9	110-130	4 5/16-5 1/8	25.0	11.5	10.5	0.6	0.75	0589 101 130	0589 201 130	0589 401 130	0589 501 130
	BVRGRD GT 120-140/9	120-140	4 3/4-5 1/2	25.0	11.5	10.5	0.6	0.75	0589 101 140	0589 201 140	0589 401 140	0589 501 140
	BVRGRD GT 130-150/9	130-150	5 1/8-5 15/16	25.0	11.5	10.5	0.6	0.75	0589 101 150	0589 201 150	0589 401 150	0589 501 150
	BVRGRD GT 140-160/9	140-160	5 1/2-6 5/16	25.0	11.5	10.5	0.6	0.75	0589 101 160	0589 201 160	0589 401 160	0589 501 160
	BVRGRD GT 150-170/9	150-170	5 15/16-6 11/16	25.0	11.5	10.5	0.6	0.75	0589 101 170	0589 201 170	0589 401 170	0589 501 170
	BVRGRD GT 160-180/9	160-180	6 5/16-7 1/16	25.0	11.5	10.5	0.6	0.75	0589 101 180	0589 201 180	0589 401 180	0589 501 180
BVRGRD GT 170-190/9	170-190	6 11/16-7 1/2	25.0	11.5	10.5	0.6	0.75	0589 101 190	0589 201 190	0589 401 190	0589 501 190	
BVRGRD GT 180-200/9	180-200	7 1/16-7 7/8	25.0	11.5	10.5	0.6	0.75	0589 101 200	0589 201 200	0589 401 200	0589 501 200	
12	BVRGRD GT 8-12/12	8-12	5/16-1/2	25.0	14.5	10.6	0.6	0.75	0589 102 012	0589 202 012	0589 402 012	0589 502 012
	BVRGRD GT 10-16/12	10-16	3/8-5/8	25.0	14.5	10.6	0.6	0.75	0589 102 016	0589 202 016	0589 402 016	0589 502 016
	BVRGRD GT 12-20/12	12-20	1/2-13/16	25.0	14.5	10.6	0.6	0.75	0589 102 020	0589 202 020	0589 402 020	0589 502 020
	BVRGRD GT 16-25/12	16-25	5/8-1	25.0	14.5	10.6	0.6	0.75	0589 102 025	0589 202 025	0589 402 025	0589 502 025
	BVRGRD GT 20-32/12	20-32	13/16-1 1/4	25.0	14.5	10.6	0.6	0.75	0589 102 032	0589 202 032	0589 402 032	0589 502 032
	BVRGRD GT 25-40/12	25-40	1-1 9/16	25.0	14.5	10.6	0.6	0.75	0589 102 040	0589 202 040	0589 402 040	0589 502 040
	BVRGRD GT 32-50/12	32-50	1 1/4-2	25.0	14.5	10.6	0.6	0.75	0589 102 050	0589 202 050	0589 402 050	0589 502 050
	BVRGRD GT 40-60/12	40-60	1 9/16-2 3/8	25.0	14.5	10.6	0.6	0.75	0589 102 060	0589 202 060	0589 402 060	0589 502 060
	BVRGRD GT 50-70/12	50-70	2-2 3/4	25.0	14.5	10.6	0.6	0.75	0589 102 070	0589 202 070	0589 402 070	0589 502 070
	BVRGRD GT 60-80/12	60-80	2 3/8-3 1/8	25.0	14.5	10.6	0.6	0.75	0589 102 080	0589 202 080	0589 402 080	0589 502 080
	BVRGRD GT 70-90/12	70-90	2 3/4-3 9/16	25.0	14.5	10.6	0.6	0.75	0589 102 090	0589 202 090	0589 402 090	0589 502 090
	BVRGRD GT 80-100/12	80-100	3 1/8-3 15/16	25.0	14.5	10.6	0.6	0.75	0589 102 100	0589 202 100	0589 402 100	0589 502 100
	BVRGRD GT 90-110/12	90-110	3 9/16-4 5/16	25.0	14.5	10.6	0.6	0.75	0589 102 110	0589 202 110	0589 402 110	0589 502 110
	BVRGRD GT 100-120/12	100-120	3 15/16-4 3/4	25.0	14.5	10.6	0.6	0.75	0589 102 120	0589 202 120	0589 402 120	0589 502 120
	BVRGRD GT 110-130/12	110-130	4 5/16-5 1/8	25.0	14.5	10.6	0.6	0.75	0589 102 130	0589 202 130	0589 402 130	0589 502 130
	BVRGRD GT 120-140/12	120-140	4 3/4-5 1/2	25.0	14.5	10.6	0.6	0.75	0589 102 140	0589 202 140	0589 402 140	0589 502 140
	BVRGRD GT 130-150/12	130-150	5 1/8-5 15/16	25.0	14.5	10.6	0.6	0.75	0589 102 150	0589 202 150	0589 402 150	0589 502 150
	BVRGRD GT 140-160/12	140-160	5 1/2-6 5/16	25.0	14.5	10.6	0.6	0.75	0589 102 160	0589 202 160	0589 402 160	0589 502 160
	BVRGRD GT 150-170/12	150-170	5 15/16-6 11/16	25.0	14.5	10.6	0.6	0.75	0589 102 170	0589 202 170	0589 402 170	0589 502 170
	BVRGRD GT 160-180/12	160-180	6 5/16-7 1/16	25.0	14.5	10.6	0.6	0.75	0589 102 180	0589 202 180	0589 402 180	0589 502 180
BVRGRD GT 170-190/12	170-190	6 11/16-7 1/2	25.0	14.5	10.6	0.6	0.75	0589 102 190	0589 202 190	0589 402 190	0589 502 190	
BVRGRD GT 180-200/12	180-200	7 1/16-7 7/8	25.0	14.5	10.6	0.6	0.75	0589 102 200	0589 202 200	0589 402 200	0589 502 200	



### Germany hose clamp With Buttererfly Key

Easy to use, no tools required. The handle can be plastic coated or not.

**Advantages:**

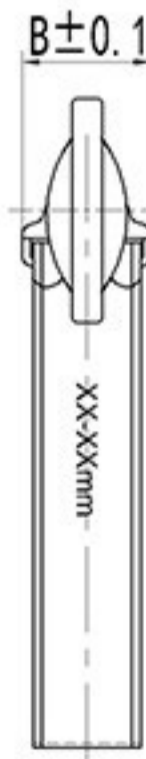
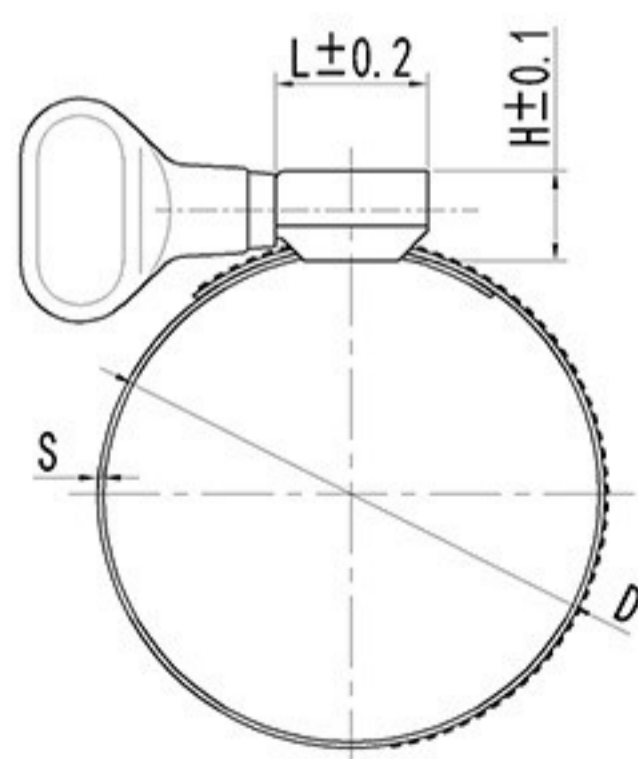
- Operated manually without any tools
- Crimping design protect hose
- Adjustment range is large and can be customized according to requirements.

**Applications:**

Industry, agriculture, chemical machinery and fluid transportation, etc.

**Materials:** W1, W2, W4, W5

**Bandwidths:** 9mm, 12mm



Specifications & ordering information												
Width (mm)	Designation	Clamping ranges		L (mm)	B (mm)	H (mm)	S (mm)	S(W1) (mm)	Product No.			
		D (mm)	D (in)						W1	W2	W4	W5
9	BVRGRD GT-H 8-12/9	8-12	5/16-1/2	14.0	11.5	10.5	0.6	0.75	0588 101 012	0588 201 012	0588 401 012	0588 501 012
	BVRGRD GT-H 10-16/9	10-16	3/8-5/8	14.0	11.5	10.5	0.6	0.75	0588 101 016	0588 201 016	0588 401 016	0588 501 016
	BVRGRD GT-H 12-20/9	12-20	1/2-13/16	14.0	11.5	10.5	0.6	0.75	0588 101 020	0588 201 020	0588 401 020	0588 501 020
	BVRGRD GT-H 16-25/9	16-25	5/8-1	14.0	11.5	10.5	0.6	0.75	0588 101 025	0588 201 025	0588 401 025	0588 501 025
	BVRGRD GT-H 20-32/9	20-32	13/16-1 1/4	17.0	11.5	10.5	0.6	0.75	0588 101 032	0588 201 032	0588 401 032	0588 501 032
	BVRGRD GT-H 25-40/9	25-40	1-1 9/16	17.0	11.5	10.5	0.6	0.75	0588 101 040	0588 201 040	0588 401 040	0588 501 040
	BVRGRD GT-H 32-50/9	32-50	1 1/4-2	17.0	11.5	10.5	0.6	0.75	0588 101 050	0588 201 050	0588 401 050	0588 501 050
	BVRGRD GT-H 40-60/9	40-60	1 9/16-2 3/8	17.0	11.5	10.5	0.6	0.75	0588 101 060	0588 201 060	0588 401 060	0588 501 060
	BVRGRD GT-H 50-70/9	50-70	2-2 3/4	17.0	11.5	10.5	0.6	0.75	0588 101 070	0588 201 070	0588 401 070	0588 501 070
	BVRGRD GT-H 60-80/9	60-80	2 3/8-3 1/8	17.0	11.5	10.5	0.6	0.75	0588 101 080	0588 201 080	0588 401 080	0588 501 080
	BVRGRD GT-H 70-90/9	70-90	2 3/4-3 9/16	17.0	11.5	10.5	0.6	0.75	0588 101 090	0588 201 090	0588 401 090	0588 501 090
	BVRGRD GT-H 80-100/9	80-100	3 1/8-3 15/16	17.0	11.5	10.5	0.6	0.75	0588 101 100	0588 201 100	0588 401 100	0588 501 100
	BVRGRD GT-H 90-110/9	90-110	3 9/16-4 5/16	17.0	11.5	10.5	0.6	0.75	0588 101 110	0588 201 110	0588 401 110	0588 501 110
	BVRGRD GT-H 100-120/9	100-120	3 15/16-4 3/4	17.0	11.5	10.5	0.6	0.75	0588 101 120	0588 201 120	0588 401 120	0588 501 120
	BVRGRD GT-H 110-130/9	110-130	4 5/16-5 1/8	17.0	11.5	10.5	0.6	0.75	0588 101 130	0588 201 130	0588 401 130	0588 501 130
	BVRGRD GT-H 120-140/9	120-140	4 3/4-5 1/2	17.0	11.5	10.5	0.6	0.75	0588 101 140	0588 201 140	0588 401 140	0588 501 140
	BVRGRD GT-H 130-150/9	130-150	5 1/8-5 15/16	17.0	11.5	10.5	0.6	0.75	0588 101 150	0588 201 150	0588 401 150	0588 501 150
	BVRGRD GT-H 140-160/9	140-160	5 1/2-6 5/16	17.0	11.5	10.5	0.6	0.75	0588 101 160	0588 201 160	0588 401 160	0588 501 160
	BVRGRD GT-H 150-170/9	150-170	5 15/16-6 11/16	17.0	11.5	10.5	0.6	0.75	0588 101 170	0588 201 170	0588 401 170	0588 501 170
	BVRGRD GT-H 160-180/9	160-180	6 5/16-7 1/16	17.0	11.5	10.5	0.6	0.75	0588 101 180	0588 201 180	0588 401 180	0588 501 180
BVRGRD GT-H 170-190/9	170-190	6 11/16-7 1/2	17.0	11.5	10.5	0.6	0.75	0588 101 190	0588 201 190	0588 401 190	0588 501 190	
BVRGRD GT-H 180-200/9	180-200	7 1/16-7 7/8	17.0	11.5	10.5	0.6	0.75	0588 101 200	0588 201 200	0588 401 200	0588 501 200	
12	BVRGRD GT-H 8-12/12	8-12	5/16-1/2	17.0	14.5	10.6	0.6	0.75	0588 102 012	0588 202 012	0588 402 012	0588 502 012
	BVRGRD GT-H 10-16/12	10-16	3/8-5/8	17.0	14.5	10.6	0.6	0.75	0588 102 016	0588 202 016	0588 402 016	0588 502 016
	BVRGRD GT-H 12-20/12	12-20	1/2-13/16	17.0	14.5	10.6	0.6	0.75	0588 102 020	0588 202 020	0588 402 020	0588 502 020
	BVRGRD GT-H 16-25/12	16-25	5/8-1	17.0	14.5	10.6	0.6	0.75	0588 102 025	0588 202 025	0588 402 025	0588 502 025
	BVRGRD GT-H 20-32/12	20-32	13/16-1 1/4	17.0	14.5	10.6	0.6	0.75	0588 102 032	0588 202 032	0588 402 032	0588 502 032
	BVRGRD GT-H 25-40/12	25-40	1-1 9/16	17.0	14.5	10.6	0.6	0.75	0588 102 040	0588 202 040	0588 402 040	0588 502 040
	BVRGRD GT-H 32-50/12	32-50	1 1/4-2	17.0	14.5	10.6	0.6	0.75	0588 102 050	0588 202 050	0588 402 050	0588 502 050
	BVRGRD GT-H 40-60/12	40-60	1 9/16-2 3/8	17.0	14.5	10.6	0.6	0.75	0588 102 060	0588 202 060	0588 402 060	0588 502 060
	BVRGRD GT-H 50-70/12	50-70	2-2 3/4	17.0	14.5	10.6	0.6	0.75	0588 102 070	0588 202 070	0588 402 070	0588 502 070
	BVRGRD GT-H 60-80/12	60-80	2 3/8-3 1/8	17.0	14.5	10.6	0.6	0.75	0588 102 080	0588 202 080	0588 402 080	0588 502 080
	BVRGRD GT-H 70-90/12	70-90	2 3/4-3 9/16	17.0	14.5	10.6	0.6	0.75	0588 102 090	0588 202 090	0588 402 090	0588 502 090
	BVRGRD GT-H 80-100/12	80-100	3 1/8-3 15/16	17.0	14.5	10.6	0.6	0.75	0588 102 100	0588 202 100	0588 402 100	0588 502 100
	BVRGRD GT-H 90-110/12	90-110	3 9/16-4 5/16	17.0	14.5	10.6	0.6	0.75	0588 102 110	0588 202 110	0588 402 110	0588 502 110
	BVRGRD GT-H 100-120/12	100-120	3 15/16-4 3/4	17.0	14.5	10.6	0.6	0.75	0588 102 120	0588 202 120	0588 402 120	0588 502 120
	BVRGRD GT-H 110-130/12	110-130	4 5/16-5 1/8	17.0	14.5	10.6	0.6	0.75	0588 102 130	0588 202 130	0588 402 130	0588 502 130
	BVRGRD GT-H 120-140/12	120-140	4 3/4-5 1/2	17.0	14.5	10.6	0.6	0.75	0588 102 140	0588 202 140	0588 402 140	0588 502 140
	BVRGRD GT-H 130-150/12	130-150	5 1/8-5 15/16	17.0	14.5	10.6	0.6	0.75	0588 102 150	0588 202 150	0588 402 150	0588 502 150
	BVRGRD GT-H 140-160/12	140-160	5 1/2-6 5/16	17.0	14.5	10.6	0.6	0.75	0588 102 160	0588 202 160	0588 402 160	0588 502 160
	BVRGRD GT-H 150-170/12	150-170	5 15/16-6 11/16	17.0	14.5	10.6	0.6	0.75	0588 102 170	0588 202 170	0588 402 170	0588 502 170
	BVRGRD GT-H 160-180/12	160-180	6 5/16-7 1/16	17.0	14.5	10.6	0.6	0.75	0588 102 180	0588 202 180	0588 402 180	0588 502 180
BVRGRD GT-H 170-190/12	170-190	6 11/16-7 1/2	17.0	14.5	10.6	0.6	0.75	0588 102 190	0588 202 190	0588 402 190	0588 502 190	
BVRGRD GT-H 180-200/12	180-200	7 1/16-7 7/8	17.0	14.5	10.6	0.6	0.75	0588 102 200	0588 202 200	0588 402 200	0588 502 200	



### American hose clamp With Buttererfly Key

Easy to use, no need tools. handle can be plastic coating or not.

**Advantages:**

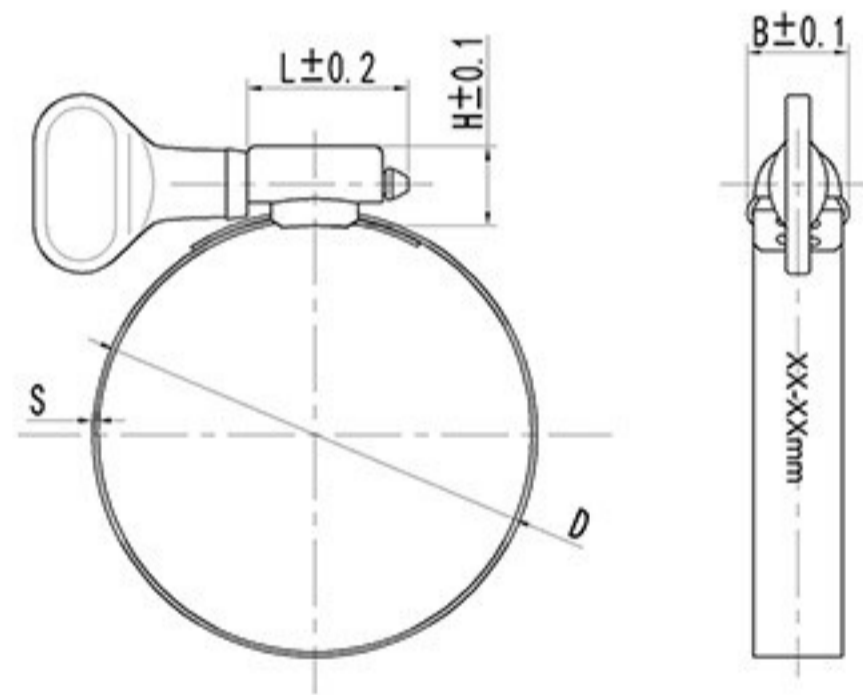
- Operate manually, no need tools.
- Wide range of adjustment, it can be customized according to client request.

**Applications:**

Dryer vents, filter bags, RV sewer hoses, cable and wire binding.

**Materials:** W1, W2, W4, W5

**Bandwidths:** 8mm, 12.7mm



Specifications & ordering information												
Width (mm)	Designation	Clamping ranges		L (mm)	B (mm)	H (mm)	S (mm)	S(W1) (mm)	Product No.			
		D (mm)	D (in)						W1	W2	W4	W5
8	BVRGRD AT-H 8-12/8	8-12	5/16-1/2	11.4	10.0	8.4	0.55	0.6	0586 101 012	0586 201 012	0586 401 012	0586 501 012
	BVRGRD AT-H 10-16/8	10-16	3/8-5/8	11.4	10.0	8.4	0.55	0.6	0586 101 016	0586 201 016	0586 401 016	0586 501 016
	BVRGRD AT-H 14-24/8	14-24	9/16-15/16	11.4	10.0	8.4	0.55	0.6	0586 101 024	0586 201 024	0586 401 024	0586 501 024
	BVRGRD AT-H 18-28/8	18-28	11/16-1 1/8	11.4	10.0	8.4	0.55	0.6	0586 101 028	0586 201 028	0586 401 028	0586 501 028
	BVRGRD AT-H 24-36/8	24-36	15/16-1 7/16	11.4	10.0	8.4	0.55	0.6	0586 101 036	0586 201 036	0586 401 036	0586 501 036
12.7	BVRGRD AT-H 10-16/12.7	10-16	3/8-5/8	19.2	15.5	11.3	0.65	0.8	0586 102 016	0586 202 016	0586 402 016	0586 502 016
	BVRGRD AT-H 12-20/12.7	12-20	1/2-13/16	19.2	15.5	11.3	0.65	0.8	0586 102 020	0586 202 020	0586 402 020	0586 502 020
	BVRGRD AT-H 11-23/12.7	11-23	7/16-15/16	19.2	15.5	11.3	0.65	0.8	0586 102 023	0586 202 023	0586 402 023	0586 502 023
	BVRGRD AT-H 16-25/12.7	16-25	5/8-1 1/16	19.2	15.5	11.3	0.65	0.8	0586 102 025	0586 202 025	0586 402 025	0586 502 025
	BVRGRD AT-H 16-30/12.7	16-30	5/8-1/3/16	19.2	15.5	11.3	0.65	0.8	0586 102 030	0586 202 030	0586 402 030	0586 502 030
	BVRGRD AT-H 20-32/12.7	20-32	13/16-1 1/4	19.2	15.5	11.3	0.65	0.8	0586 102 032	0586 202 032	0586 402 032	0586 502 032
	BVRGRD AT-H 25-38/12.7	25-38	1-1 1/2	19.2	15.5	11.3	0.65	0.8	0586 102 038	0586 202 038	0586 402 038	0586 502 038
	BVRGRD AT-H 32-44/12.7	32-44	1 1/4-1 3/4	19.2	15.5	11.3	0.65	0.8	0586 102 044	0586 202 044	0586 402 044	0586 502 044
	BVRGRD AT-H 27-51/12.7	27-51	1 1/16-2	19.2	15.5	11.3	0.65	0.8	0586 102 051	0586 202 051	0586 402 051	0586 502 051
	BVRGRD AT-H 38-57/12.7	38-57	1 1/2-2 1/4	19.2	15.5	11.3	0.65	0.8	0586 102 057	0586 202 057	0586 402 057	0586 502 057
	BVRGRD AT-H 44-64/12.7	44-64	1 3/4-2 1/2	19.2	15.5	11.3	0.65	0.8	0586 102 064	0586 202 064	0586 402 064	0586 502 064
	BVRGRD AT-H 51-70/12.7	51-70	2-2 3/4	19.2	15.5	11.3	0.65	0.8	0586 102 070	0586 202 070	0586 402 070	0586 502 070
	BVRGRD AT-H 64-76/12.7	64-76	2 1/2-3	19.2	15.5	11.3	0.65	0.8	0586 102 076	0586 202 076	0586 402 076	0586 502 076
	BVRGRD AT-H 70-89/12.7	70-89	2 3/4-3 1/2	19.2	15.5	11.3	0.65	0.8	0586 102 089	0586 202 089	0586 402 089	0586 502 089
	BVRGRD AT-H 76-92/12.7	76-92	3-3 5/8	19.2	15.5	11.3	0.65	0.8	0586 102 092	0586 202 092	0586 402 092	0586 502 092
	BVRGRD AT-H 80-100/12.7	80-100	3 1/8-3 15/16	19.2	15.5	11.3	0.65	0.8	0586 102 100	0586 202 100	0586 402 100	0586 502 100
	BVRGRD AT-H 90-110/12.7	90-110	3 9/16-4 5/16	19.2	15.5	11.3	0.65	0.8	0586 102 110	0586 202 110	0586 402 110	0586 502 110
	BVRGRD AT-H 100-120/12.7	100-120	3 15/16-4 3/4	19.2	15.5	11.3	0.65	0.8	0586 102 120	0586 202 120	0586 402 120	0586 502 120
	BVRGRD AT-H 110-130/12.7	110-130	4 5/16-5 1/8	19.2	15.5	11.3	0.65	0.8	0586 102 130	0586 202 130	0586 402 130	0586 502 130
	BVRGRD AT-H 120-140/12.7	120-140	4 3/4-5 1/2	19.2	15.5	11.3	0.65	0.8	0586 102 140	0586 202 140	0586 402 140	0586 502 140
BVRGRD AT-H 130-150/12.7	130-150	5 1/8-5 15/16	19.2	15.5	11.3	0.65	0.8	0586 102 150	0586 202 150	0586 402 150	0586 502 150	
BVRGRD AT-H 140-160/12.7	140-160	5 1/2-6 5/16	19.2	15.5	11.3	0.65	0.8	0586 102 160	0586 202 160	0586 402 160	0586 502 160	



## High pressure American type hose clamp

Heavy duty four-locking structure design. Used in aircraft and heavy industry equipment. In design, they can provide ultra-high belt tension to handle the most difficult fastening work. It is the strongest worm type clamps. It is also lined to protect the hose.

### Advantages:

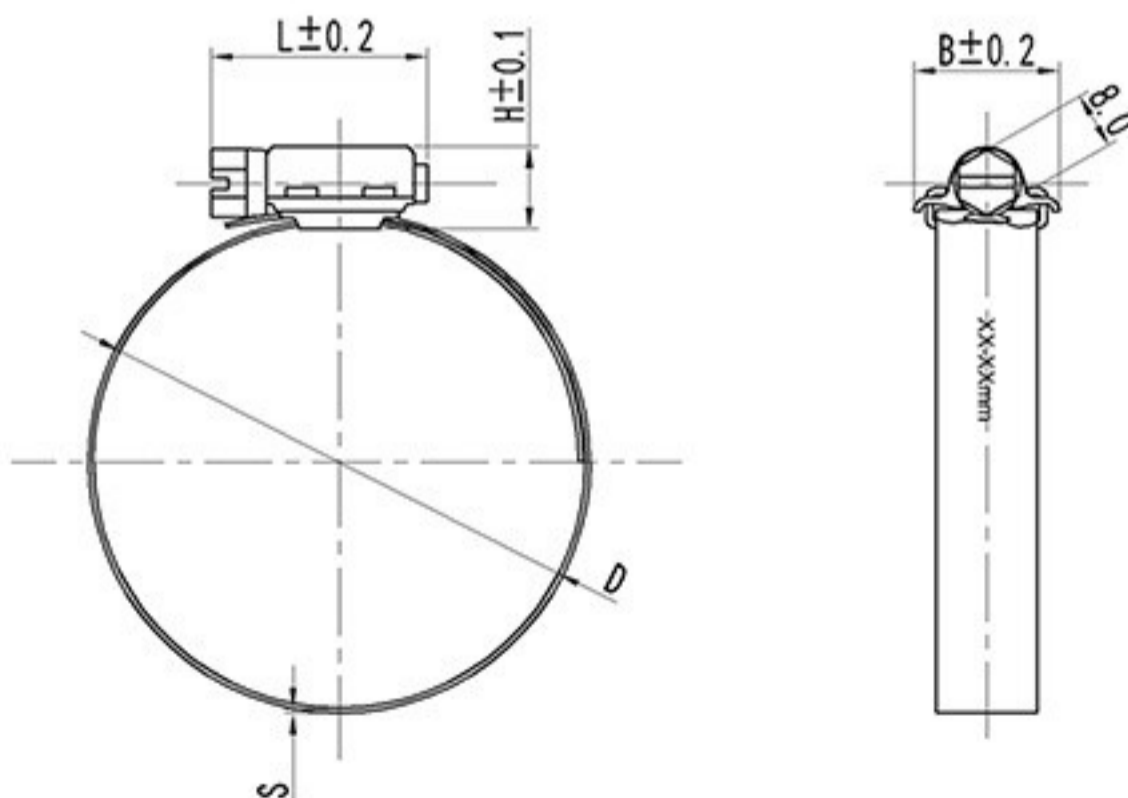
- Extreme high torque
- High performance

### Applications:

Industrial machinery, heavy trucks, farm and off-road equipment engines.

**Materials:** W2, W4, W5

**Bandwidths:** 12.7mm, 14.2mm, 15.8mm



Specifications & ordering information										
Width (mm)	Designation	Clamping ranges		L (mm)	B (mm)	H (mm)	S (mm)	Product No.		
		D (mm)	D (in)					W2	W4	W5
12.7	BVRGRD AT-HP 10-16/12.7	10-16	3/8-5/8	29.4	18.6	10.2	0.65	0585 201 016	0585 401 016	0585 501 016
	BVRGRD AT-HP 13-19/12.7	13-19	1/2-3/4	29.4	18.6	10.2	0.65	0585 201 019	0585 401 019	0585 501 019
	BVRGRD AT-HP 16-25/12.7	16-25	5/8-1	29.4	18.6	10.2	0.65	0585 201 025	0585 401 025	0585 501 025
	BVRGRD AT-HP 19-29/12.7	19-29	3/4-1 1/8	29.4	18.6	10.2	0.65	0585 201 029	0585 401 029	0585 501 029
14.2	BVRGRD AT-HP 22-32/14.2	22-32	7/8-1 1/4	30.5	20.4	11.5	0.65	0585 202 032	0585 402 032	0585 502 032
	BVRGRD AT-HP 25-38/14.2	25-38	1-1 1/2	30.5	20.4	11.5	0.65	0585 202 038	0585 402 038	0585 502 038
	BVRGRD AT-HP 32-44/14.2	32-44	1 1/4-1 3/4	30.5	20.4	11.5	0.65	0585 202 044	0585 402 044	0585 502 044
	BVRGRD AT-HP 35-51/14.2	35-51	1 3/8-2	30.5	20.4	11.5	0.65	0585 202 051	0585 402 051	0585 502 051
	BVRGRD AT-HP 38-57/14.2	38-57	1 1/2-2 1/4	30.5	20.4	11.5	0.65	0585 202 057	0585 402 057	0585 502 057
	BVRGRD AT-HP 44-64/14.2	44-64	1 3/4-2 1/2	30.5	20.4	11.5	0.65	0585 202 064	0585 402 064	0585 502 064
	BVRGRD AT-HP 51-70/14.2	51-70	2-2 3/4	30.5	20.4	11.5	0.65	0585 202 070	0585 402 070	0585 502 070
	BVRGRD AT-HP 64-76/14.2	64-76	2 1/2-3	30.5	20.4	11.5	0.65	0585 202 076	0585 402 076	0585 502 076
	BVRGRD AT-HP 70-89/14.2	70-89	2 3/4-3 1/2	30.5	20.4	11.5	0.65	0585 202 089	0585 402 089	0585 502 089
	BVRGRD AT-HP 76-92/14.2	76-92	3-3 5/8	30.5	20.4	11.5	0.65	0585 202 092	0585 402 092	0585 502 092
	BVRGRD AT-HP 80-100/14.2	80-100	3 1/8-3 15/16	30.5	20.4	11.5	0.65	0585 202 100	0585 402 100	0585 502 100
	BVRGRD AT-HP 90-110/14.2	90-110	3 9/16-4 5/16	30.5	20.4	11.5	0.65	0585 202 110	0585 402 110	0585 502 110
	BVRGRD AT-HP 100-120/14.2	100-120	3 15/16-4 3/4	30.5	20.4	11.5	0.65	0585 202 120	0585 402 120	0585 502 120
	BVRGRD AT-HP 110-130/14.2	110-130	4 5/16-5 1/8	30.5	20.4	11.5	0.65	0585 202 130	0585 402 130	0585 502 130
	BVRGRD AT-HP 120-140/14.2	120-140	4 3/4-5 1/2	30.5	20.4	11.5	0.65	0585 202 140	0585 402 140	0585 502 140
	BVRGRD AT-HP 130-150/14.2	130-150	5 1/8-5 15/16	30.5	20.4	11.5	0.65	0585 202 150	0585 402 150	0585 502 150
BVRGRD AT-HP 140-160/14.2	140-160	5 1/2-6 5/16	30.5	20.4	11.5	0.65	0585 202 160	0585 402 160	0585 502 160	
BVRGRD AT-HP 150-170/14.2	150-170	5 15/16-6 11/16	30.5	20.4	11.5	0.65	0585 202 170	0585 402 170	0585 502 170	
BVRGRD AT-HP 160-180/14.2	160-180	6 5/16-7 1/16	30.5	20.4	11.5	0.65	0585 202 180	0585 402 180	0585 502 180	
15.8	BVRGRD AT-HP 22-32/15.8	22-32	7/8-1 1/4	37.5	23.7	12.6	0.65	0585 203 032	0585 403 032	0585 503 032
	BVRGRD AT-HP 25-38/15.8	25-38	1-1 1/2	37.5	23.7	12.6	0.65	0585 203 038	0585 403 038	0585 503 038
	BVRGRD AT-HP 32-44/15.8	32-44	1 1/4-1 3/4	37.5	23.7	12.6	0.65	0585 203 044	0585 403 044	0585 503 044
	BVRGRD AT-HP 35-51/15.8	35-51	1 3/8-2	37.5	23.7	12.6	0.65	0585 203 051	0585 403 051	0585 503 051
	BVRGRD AT-HP 38-57/15.8	38-57	1 1/2-2 1/4	37.5	23.7	12.6	0.65	0585 203 057	0585 403 057	0585 503 057
	BVRGRD AT-HP 44-64/15.8	44-64	1 3/4-2 1/2	37.5	23.7	12.6	0.65	0585 203 064	0585 403 064	0585 503 064
	BVRGRD AT-HP 51-70/15.8	51-70	2-2 3/4	37.5	23.7	12.6	0.65	0585 203 070	0585 403 070	0585 503 070
	BVRGRD AT-HP 64-76/15.8	64-76	2 1/2-3	37.5	23.7	12.6	0.65	0585 203 076	0585 403 076	0585 503 076
	BVRGRD AT-HP 70-89/15.8	70-89	2 3/4-3 1/2	37.5	23.7	12.6	0.65	0585 203 089	0585 403 089	0585 503 089
	BVRGRD AT-HP 76-92/15.8	76-92	3-3 5/8	37.5	23.7	12.6	0.65	0585 203 092	0585 403 092	0585 503 092
	BVRGRD AT-HP 80-100/15.8	80-100	3 1/8-3 15/16	37.5	23.7	12.6	0.65	0585 203 100	0585 403 100	0585 503 100
	BVRGRD AT-HP 90-110/15.8	90-110	3 9/16-4 5/16	37.5	23.7	12.6	0.65	0585 203 110	0585 403 110	0585 503 110
	BVRGRD AT-HP 100-120/15.8	100-120	3 15/16-4 3/4	37.5	23.7	12.6	0.65	0585 203 120	0585 403 120	0585 503 120
	BVRGRD AT-HP 110-130/15.8	110-130	4 5/16-5 1/8	37.5	23.7	12.6	0.65	0585 203 130	0585 403 130	0585 503 130
	BVRGRD AT-HP 120-140/15.8	120-140	4 3/4-5 1/2	37.5	23.7	12.6	0.65	0585 203 140	0585 403 140	0585 503 140
	BVRGRD AT-HP 130-150/15.8	130-150	5 1/8-5 15/16	37.5	23.7	12.6	0.65	0585 203 150	0585 403 150	0585 503 150
BVRGRD AT-HP 140-160/15.8	140-160	5 1/2-6 5/16	37.5	23.7	12.6	0.65	0585 203 160	0585 403 160	0585 503 160	
BVRGRD AT-HP 150-170/15.8	150-170	5 15/16-6 11/16	37.5	23.7	12.6	0.65	0585 203 170	0585 403 170	0585 503 170	
BVRGRD AT-HP 160-180/15.8	160-180	6 5/16-7 1/16	37.5	23.7	12.6	0.65	0585 203 180	0585 403 180	0585 503 180	



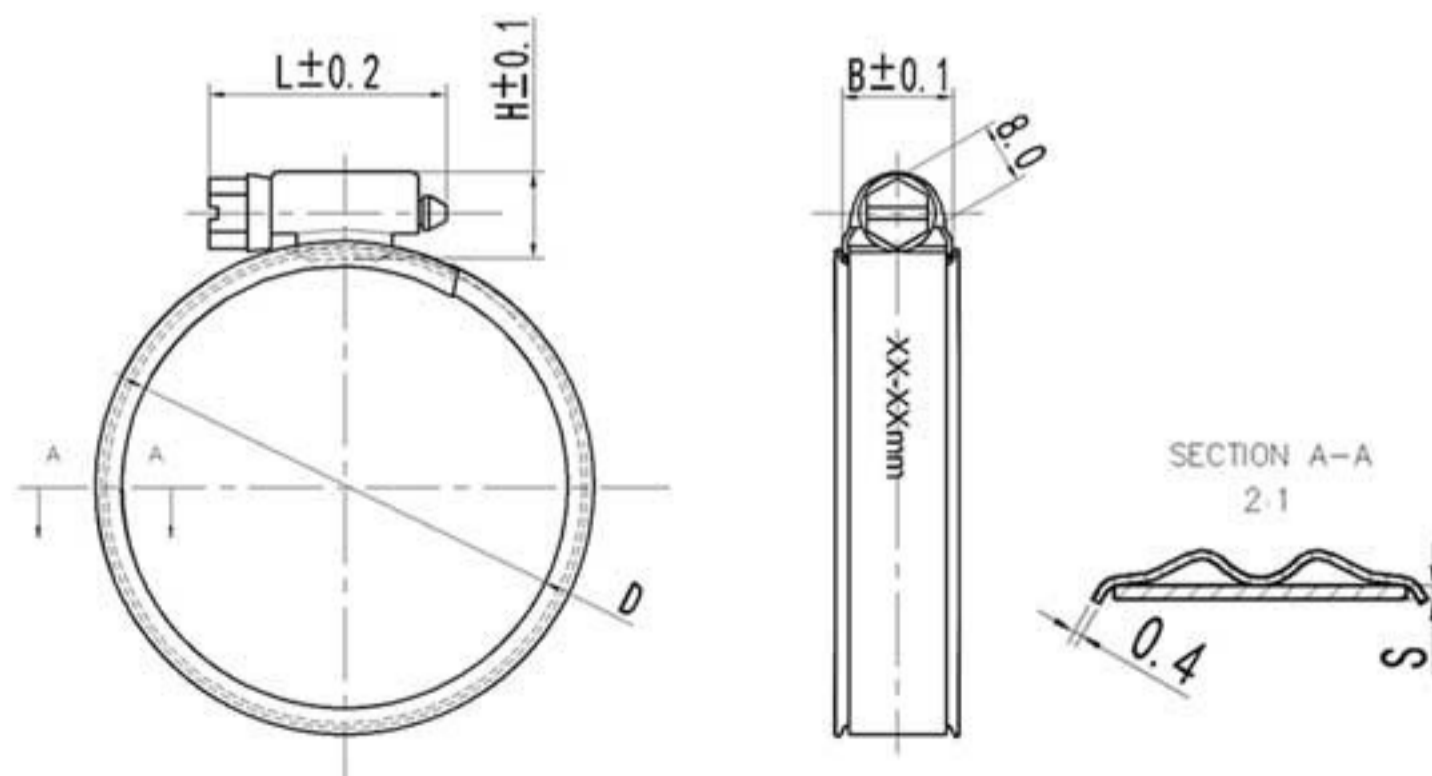


## American Double-layer Hybrid Smartseal hose clamp

Intelligent compensation clamp can avoid unnecessary flow of fluid and air while fixing the connection of hose. This new generation of clamp can handle pressure and temperature changes, providing a 360 degree stable sealing. Their compact design and narrow cap provide long-lasting tension while avoiding bulky size, making them the best choice for your heavy-duty clamp. Applications include radar, turbocharged applications, solar panels, electric vehicles, liquid pipe connections, hose applications, generators, home applications, tractor/truck and fluid applications of most vehicle.

**Materials:** W4, W5

**Bandwidths:** 12.7mm, 14.2mm



### Specifications & ordering information

Width (mm)	Designation	Clamping ranges		L (mm)	B (mm)	H (mm)	S (mm)	Product No.	
		D (mm)	D (in)					W4	W5
12.7	BVRGRD AT-DL 10-16/12.7	10-16	3/8-5/8	30.9	15.5	11.3	0.65	0582 402 016	0582 502 016
	BVRGRD AT-DL 12-20/12.7	12-20	1/2-13/16	30.9	15.5	11.3	0.65	0582 402 020	0582 502 020
	BVRGRD AT-DL 11-23/12.7	11-23	7/16-15/16	30.9	15.5	11.3	0.65	0582 402 023	0582 502 023
	BVRGRD AT-DL 16-25/12.7	16-25	5/8-1 1/16	30.9	15.5	11.3	0.65	0582 402 025	0582 502 025
	BVRGRD AT-DL 16-30/12.7	16-30	5/8-1 3/16	30.9	15.5	11.3	0.65	0582 402 030	0582 502 030
	BVRGRD AT-DL 20-32/12.7	20-32	13/16-1 1/4	30.9	15.5	11.3	0.65	0582 402 032	0582 502 032
	BVRGRD AT-DL 25-38/12.7	25-38	1-1 1/2	30.9	15.5	11.3	0.65	0582 402 038	0582 502 038
	BVRGRD AT-DL 32-44/12.7	32-44	1 1/4-1 3/4	30.9	15.5	11.3	0.65	0582 402 044	0582 502 044
	BVRGRD AT-DL 27-51/12.7	27-51	1 1/16-2	30.9	15.5	11.3	0.65	0582 402 051	0582 502 051
	BVRGRD AT-DL 38-57/12.7	38-57	1 1/2-2 1/4	30.9	15.5	11.3	0.65	0582 402 057	0582 502 057
	BVRGRD AT-DL 44-64/12.7	44-64	1 3/4-2 1/2	30.9	15.5	11.3	0.65	0582 402 064	0582 502 064
	BVRGRD AT-DL 51-70/12.7	51-70	2-2 3/4	30.9	15.5	11.3	0.65	0582 402 070	0582 502 070
	BVRGRD AT-DL 64-76/12.7	64-76	2 1/2-3	30.9	15.5	11.3	0.65	0582 402 076	0582 502 076
	BVRGRD AT-DL 70-89/12.7	70-89	2 3/4-3 1/2	30.9	15.5	11.3	0.65	0582 402 089	0582 502 089
	BVRGRD AT-DL 76-92/12.7	76-92	3-3 5/8	30.9	15.5	11.3	0.65	0582 402 092	0582 502 092
	BVRGRD AT-DL 80-100/12.7	80-100	3 1/8-3 15/16	30.9	15.5	11.3	0.65	0582 402 100	0582 502 100
	BVRGRD AT-DL 90-110/12.7	90-110	3 9/16-4 5/16	30.9	15.5	11.3	0.65	0582 402 110	0582 502 110
	BVRGRD AT-DL 100-120/12.7	100-120	3 15/16-4 3/4	30.9	15.5	11.3	0.65	0582 402 120	0582 502 120
	BVRGRD AT-DL 110-130/12.7	110-130	4 5/16-5 1/8	30.9	15.5	11.3	0.65	0582 402 130	0582 502 130
	BVRGRD AT-DL 120-140/12.7	120-140	4 3/4-5 1/2	30.9	15.5	11.3	0.65	0582 402 140	0582 502 140
BVRGRD AT-DL 130-150/12.7	130-150	5 1/8-5 15/16	30.9	15.5	11.3	0.65	0582 402 150	0582 502 150	
BVRGRD AT-DL 140-160/12.7	140-160	5 1/2-6 5/16	30.9	15.5	11.3	0.65	0582 402 160	0582 502 160	
14	BVRGRD AT-DL 10-16/14	10-16	3/8-5/8	30.9	17.0	11.3	0.65	0582 403 016	0582 503 016
	BVRGRD AT-DL 12-20/14	12-20	1/2-13/16	30.9	17.0	11.3	0.65	0582 403 020	0582 503 020
	BVRGRD AT-DL 11-23/14	11-23	7/16-15/16	30.9	17.0	11.3	0.65	0582 403 023	0582 503 023
	BVRGRD AT-DL 16-25/14	16-25	5/8-1 1/16	30.9	17.0	11.3	0.65	0582 403 025	0582 503 025
	BVRGRD AT-DL 16-30/14	16-30	5/8-1 3/16	30.9	17.0	11.3	0.65	0582 403 030	0582 503 030
	BVRGRD AT-DL 20-32/14	20-32	13/16-1 1/4	30.9	17.0	11.3	0.65	0582 403 032	0582 503 032
	BVRGRD AT-DL 25-38/14	25-38	1-1 1/2	30.9	17.0	11.3	0.65	0582 403 038	0582 503 038
	BVRGRD AT-DL 32-44/14	32-44	1 1/4-1 3/4	30.9	17.0	11.3	0.65	0582 403 044	0582 503 044
	BVRGRD AT-DL 27-51/14	27-51	1 1/16-2	30.9	17.0	11.3	0.65	0582 403 051	0582 503 051
	BVRGRD AT-DL 38-57/14	38-57	1 1/2-2 1/4	30.9	17.0	11.3	0.65	0582 403 057	0582 503 057
	BVRGRD AT-DL 44-64/14	44-64	1 3/4-2 1/2	30.9	17.0	11.3	0.65	0582 403 064	0582 503 064
	BVRGRD AT-DL 51-70/14	51-70	2-2 3/4	30.9	17.0	11.3	0.65	0582 403 070	0582 503 070
	BVRGRD AT-DL 64-76/14	64-76	2 1/2-3	30.9	17.0	11.3	0.65	0582 403 076	0582 503 076
	BVRGRD AT-DL 70-89/14	70-89	2 3/4-3 1/2	30.9	17.0	11.3	0.65	0582 403 089	0582 503 089
	BVRGRD AT-DL 76-92/14	76-92	3-3 5/8	30.9	17.0	11.3	0.65	0582 403 092	0582 503 092
	BVRGRD AT-DL 80-100/14	80-100	3 1/8-3 15/16	30.9	17.0	11.3	0.65	0582 403 100	0582 503 100
	BVRGRD AT-DL 90-110/14	90-110	3 9/16-4 5/16	30.9	17.0	11.3	0.65	0582 403 110	0582 503 110
	BVRGRD AT-DL 100-120/14	100-120	3 15/16-4 3/4	30.9	17.0	11.3	0.65	0582 403 120	0582 503 120
	BVRGRD AT-DL 110-130/14	110-130	4 5/16-5 1/8	30.9	17.0	11.3	0.65	0582 403 130	0582 503 130
	BVRGRD AT-DL 120-140/14	120-140	4 3/4-5 1/2	30.9	17.0	11.3	0.65	0582 403 140	0582 503 140
BVRGRD AT-DL 130-150/14	130-150	5 1/8-5 15/16	30.9	17.0	11.3	0.65	0582 403 150	0582 503 150	
BVRGRD AT-DL 140-160/14	140-160	5 1/2-6 5/16	30.9	17.0	11.3	0.65	0582 403 160	0582 503 160	

## British riveting hose clamp

Special firm housing system, the crimping design and the smooth band interior can effectively protect the hose from wear with high fastening force and high breaking torque. Designed for maximum resistance to pitting corrosion and gap corrosion, and has good resistance to various types of stress corrosion. Strong band is the first choice for various heavy-duty design of high-pressure waterways.

### Advantages:

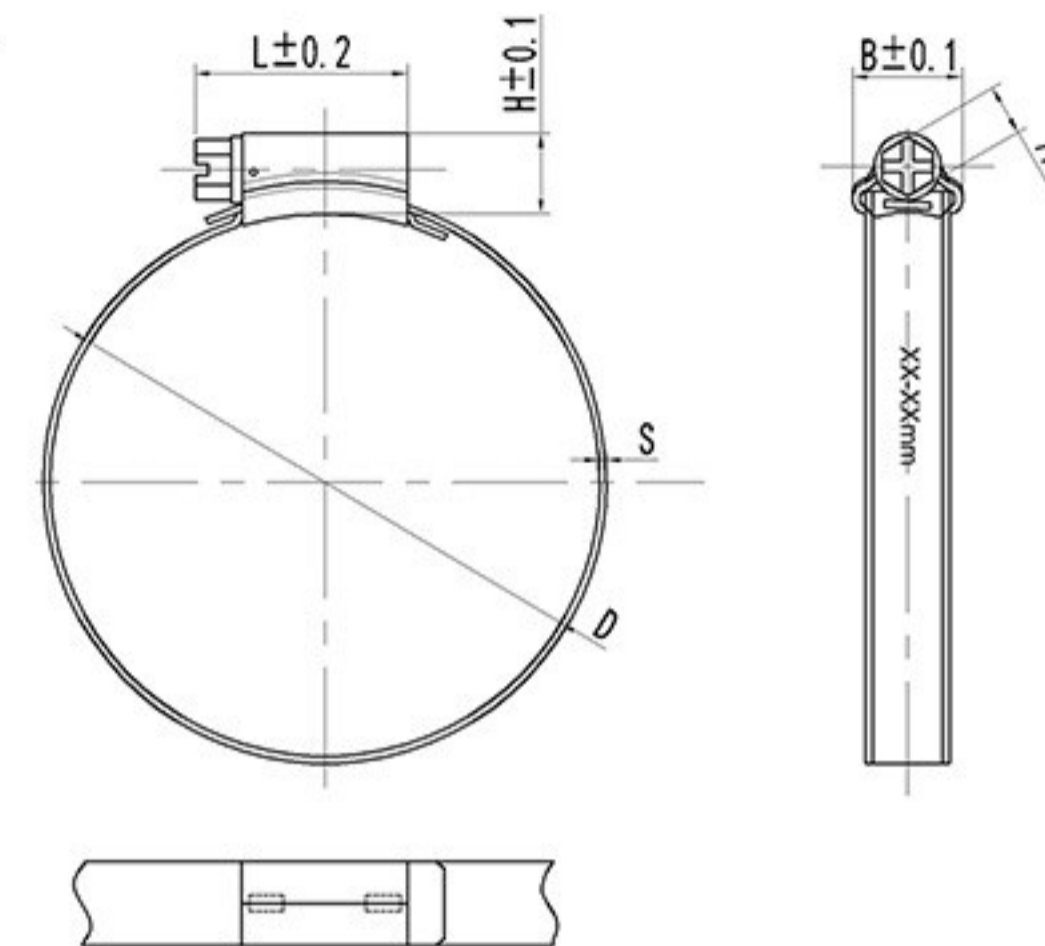
- Excellent resistance to pitting corrosion and crevice corrosion
- High resistance to stress corrosion and cracking

### Applications:

- Wires for seawater treatment equipment parts, Chemical and food processing equipment
- Oil and gas production equipment, Shipping and shipbuilding

**Materials:** W1, W2, W4, W5

**Bandwidths:** 9.7mm, 11.7mm



## Specifications & ordering information

Width (mm)	Designation	Clamping ranges		L (mm)	B (mm)	H (mm)	S (mm)	S(W1) (mm)	Product No.			
		D (mm)	D (in)						W1	W2	W4	W5
9.7	BVRGRD ET-R 8-12/9.7	8-12	5/16-1/2	18.5	13.0	9.8	0.8	0.85	0584 101 012	0584 201 012	0584 401 012	0584 501 012
	BVRGRD ET-R 11-16/9.7	11-16	7/16-5/8	18.5	13.0	9.8	0.8	0.85	0584 101 016	0584 201 016	0584 401 016	0584 501 016
	BVRGRD ET-R 13-20/9.7	13-20	1/2-13/16	18.5	13.0	9.8	0.8	0.85	0584 101 020	0584 201 020	0584 401 020	0584 501 020
	BVRGRD ET-R 16-22/9.7	16-22	5/8-7/8	18.5	13.0	9.8	0.8	0.85	0584 101 022	0584 201 022	0584 401 022	0584 501 022
	BVRGRD ET-R 18-25/9.7	18-25	11/16-1	18.5	13.0	9.8	0.8	0.85	0584 101 025	0584 201 025	0584 401 025	0584 501 025
11.7	BVRGRD ET-R 22-30/11.7	22-30	7/8-1 3/16	23.5	15.0	11.1	0.8	0.95	0584 102 030	0584 202 030	0584 402 030	0584 502 030
	BVRGRD ET-R 25-35/11.7	25-35	1-1 3/8	23.5	15.0	11.1	0.8	0.95	0584 102 035	0584 202 035	0584 402 035	0584 502 035
	BVRGRD ET-R 30-40/11.7	30-40	1 3/16-1 9/16	23.5	15.0	11.1	0.8	0.95	0584 102 040	0584 202 040	0584 402 040	0584 502 040
	BVRGRD ET-R 32-45/11.7	32-45	1 1/4-1 3/4	26.5	15.0	11.1	0.8	0.95	0584 102 045	0584 202 045	0584 402 045	0584 502 045
	BVRGRD ET-R 35-50/11.7	35-50	1 3/8-2	26.5	15.0	11.1	0.8	0.95	0584 102 050	0584 202 050	0584 402 050	0584 502 050
	BVRGRD ET-R 40-55/11.7	40-55	1 9/16-2 3/16	26.5	15.0	11.1	0.8	0.95	0584 102 055	0584 202 055	0584 402 055	0584 502 055
	BVRGRD ET-R 45-60/11.7	45-60	1 3/4-2 3/8	26.5	15.0	11.1	0.8	0.95	0584 102 060	0584 202 060	0584 402 060	0584 502 060
	BVRGRD ET-R 55-70/11.7	55-70	2 3/16-2 3/4	31.5	15.0	11.1	0.8	0.95	0584 102 070	0584 202 070	0584 402 070	0584 502 070
	BVRGRD ET-R 60-80/11.7	60-80	2 3/8-3 1/8	31.5	15.0	11.1	0.8	0.95	0584 102 080	0584 202 080	0584 402 080	0584 502 080
	BVRGRD ET-R 70-90/11.7	70-90	2 3/4-3 9/16	31.5	15.0	11.1	0.8	0.95	0584 102 090	0584 202 090	0584 402 090	0584 502 090
	BVRGRD ET-R 85-100/11.7	85-100	3 3/8-3 15/16	31.5	15.0	11.1	0.8	0.95	0584 102 100	0584 202 100	0584 402 100	0584 502 100
	BVRGRD ET-R 90-120/11.7	90-120	3 9/16-4 3/4	31.5	15.0	11.1	0.8	0.95	0584 102 120	0584 202 120	0584 402 120	0584 502 120
	BVRGRD ET-R 110-140/11.7	110-140	3 5/16-5 1/2	31.5	15.0	11.1	0.8	0.95	0584 102 140	0584 202 140	0584 402 140	0584 502 140
	BVRGRD ET-R 120-150/11.7	120-150	4 3/4-5 15/16	31.5	15.0	11.1	0.8	0.95	0584 102 150	0584 202 150	0584 402 150	0584 502 150
BVRGRD ET-R 135-165/11.7	135-165	5 5/16-6 1/2	31.5	15.0	11.1	0.8	0.95	0584 102 165	0584 202 165	0584 402 165	0584 502 165	

**British hose clamp with blue end**

It has an extra-strong one-piece compression housing with rolled band edges and smooth band interior to protect the hose. It is a fixture with high fastening force and high breaking torque.

**Advantages:**

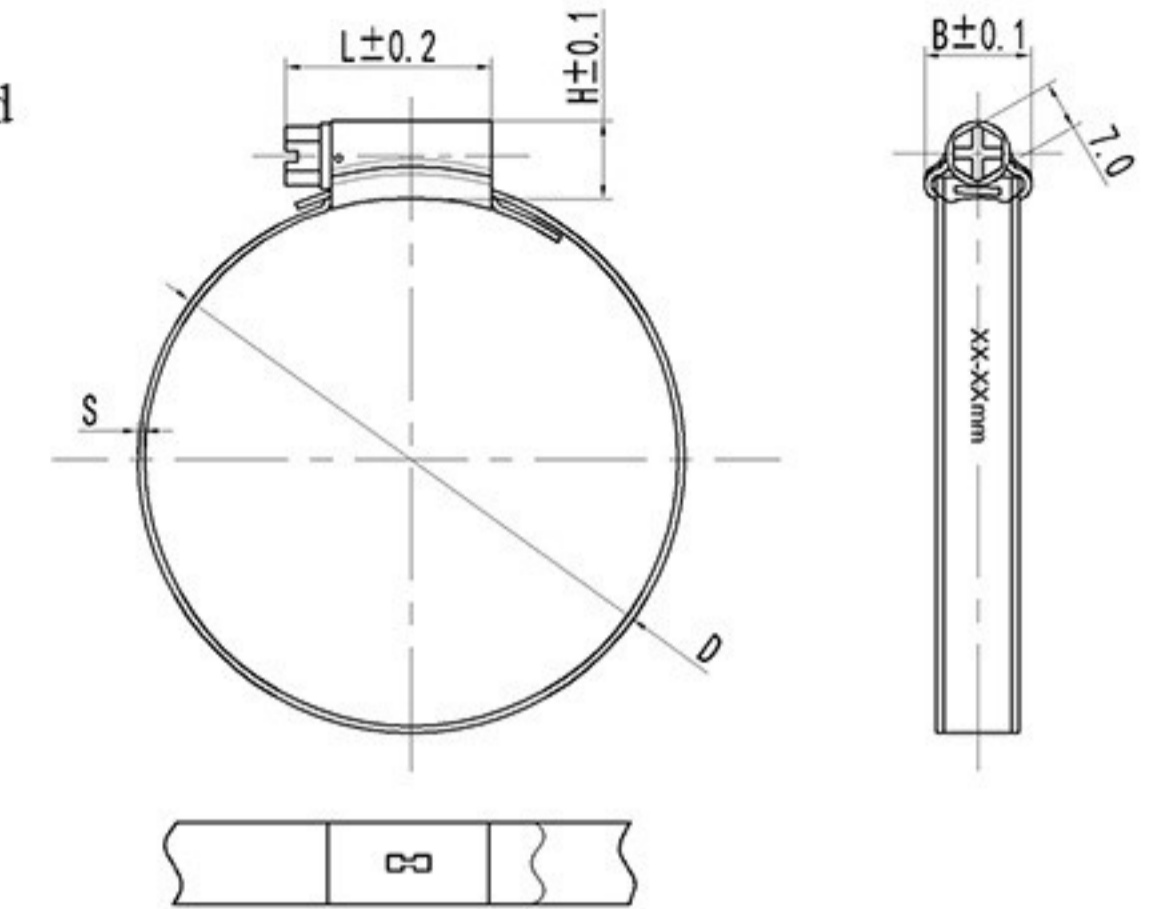
- High locking force
- High breaking torque
- Effective hose protection

**Applications:**

Mechanical manufacturing, Chemical industry, Irrigation system, Railway, Agricultural, machinery, Construction machinery, Ocean

**Materials:** W1, W2, W4, W5

**Bandwidths:** 9.7mm, 11.7mm


**Specifications & ordering information**

Width (mm)	Designation	Clamping ranges		L (mm)	B (mm)	H (mm)	S (mm)	S(W1) (mm)	Product No.			
		D (mm)	D (in)						W1	W2	W4	W5
9.7	BVRGRD ET-BP 8-12/9.7	8-12	5/16-1/2	20.5	13.0	10.0	0.8	0.85	0583 101 012	0583 201 012	0583 401 012	0583 501 012
	BVRGRD ET-BP 11-16/9.7	11-16	7/16-5/8	20.5	13.0	10.0	0.8	0.85	0583 101 016	0583 201 016	0583 401 016	0583 501 016
	BVRGRD ET-BP 13-20/9.7	13-20	1/2-13/16	20.5	13.0	10.0	0.8	0.85	0583 101 020	0583 201 020	0583 401 020	0583 501 020
	BVRGRD ET-BP 16-22/9.7	16-22	5/8-7/8	20.5	13.0	10.0	0.8	0.85	0583 101 022	0583 201 022	0583 401 022	0583 501 022
	BVRGRD ET-BP 18-25/9.7	18-25	11/16-1	20.5	13.0	10.0	0.8	0.85	0583 101 025	0583 201 025	0583 401 025	0583 501 025
11.7	BVRGRD ET-BP 22-30/11.7	22-30	7/8-1 3/16	23.5	15.0	11.0	0.8	0.95	0583 102 030	0583 202 030	0583 402 030	0583 502 030
	BVRGRD ET-BP 25-35/11.7	25-35	1-1 3/8	23.5	15.0	11.0	0.8	0.95	0583 102 035	0583 202 035	0583 402 035	0583 502 035
	BVRGRD ET-BP 30-40/11.7	30-40	1 3/16-1 9/16	23.5	15.0	11.0	0.8	0.95	0583 102 040	0583 202 040	0583 402 040	0583 502 040
	BVRGRD ET-BP 32-45/11.7	32-45	1 1/4-1 3/4	26.5	15.0	11.0	0.8	0.95	0583 102 045	0583 202 045	0583 402 045	0583 502 045
	BVRGRD ET-BP 35-50/11.7	35-50	1 3/8-2	26.5	15.0	11.0	0.8	0.95	0583 102 050	0583 202 050	0583 402 050	0583 502 050
	BVRGRD ET-BP 40-55/11.7	40-55	1 9/16-2 3/16	26.5	15.0	11.0	0.8	0.95	0583 102 055	0583 202 055	0583 402 055	0583 502 055
	BVRGRD ET-BP 45-60/11.7	45-60	1 3/4-2 3/8	26.5	15.0	11.0	0.8	0.95	0583 102 060	0583 202 060	0583 402 060	0583 502 060
	BVRGRD ET-BP 55-70/11.7	55-70	2 3/16-2 3/4	31.5	15.0	11.0	0.8	0.95	0583 102 070	0583 202 070	0583 402 070	0583 502 070
	BVRGRD ET-BP 60-80/11.7	60-80	2 3/8-3 1/8	31.5	15.0	11.0	0.8	0.95	0583 102 080	0583 202 080	0583 402 080	0583 502 080
	BVRGRD ET-BP 70-90/11.7	70-90	2 3/4-3 9/16	31.5	15.0	11.0	0.8	0.95	0583 102 090	0583 202 090	0583 402 090	0583 502 090
	BVRGRD ET-BP 85-100/11.7	85-100	3 3/8-3 15/16	31.5	15.0	11.0	0.8	0.95	0583 102 100	0583 202 100	0583 402 100	0583 502 100
	BVRGRD ET-BP 90-120/11.7	90-120	3 9/16-4 3/4	31.5	15.0	11.0	0.8	0.95	0583 102 120	0583 202 120	0583 402 120	0583 502 120
	BVRGRD ET-BP 110-140/11.7	110-140	3 5/16-5 1/2	31.5	15.0	11.0	0.8	0.95	0583 102 140	0583 202 140	0583 402 140	0583 502 140
	BVRGRD ET-BP 120-150/11.7	120-150	4 3/4-5 15/16	31.5	15.0	11.0	0.8	0.95	0583 102 150	0583 202 150	0583 402 150	0583 502 150
BVRGRD ET-BP 135-165/11.7	135-165	5 5/16-6 1/2	31.5	15.0	11.0	0.8	0.95	0583 102 165	0583 202 165	0583 402 165	0583 502 165	

## Heavy duty American type hose clamp

With continuous tightening force, the mechanical force of the Belleville spring enables the clamp to automatically adjust its size in a constantly changing temperature environment. This unique design eliminates leakage caused by "cold shrinkage" at lower temperatures. Built-in steel sheet, on the one hand can protect the hose from damage, on the other hand can maintain continuous sealing pressure.

### Advantages:

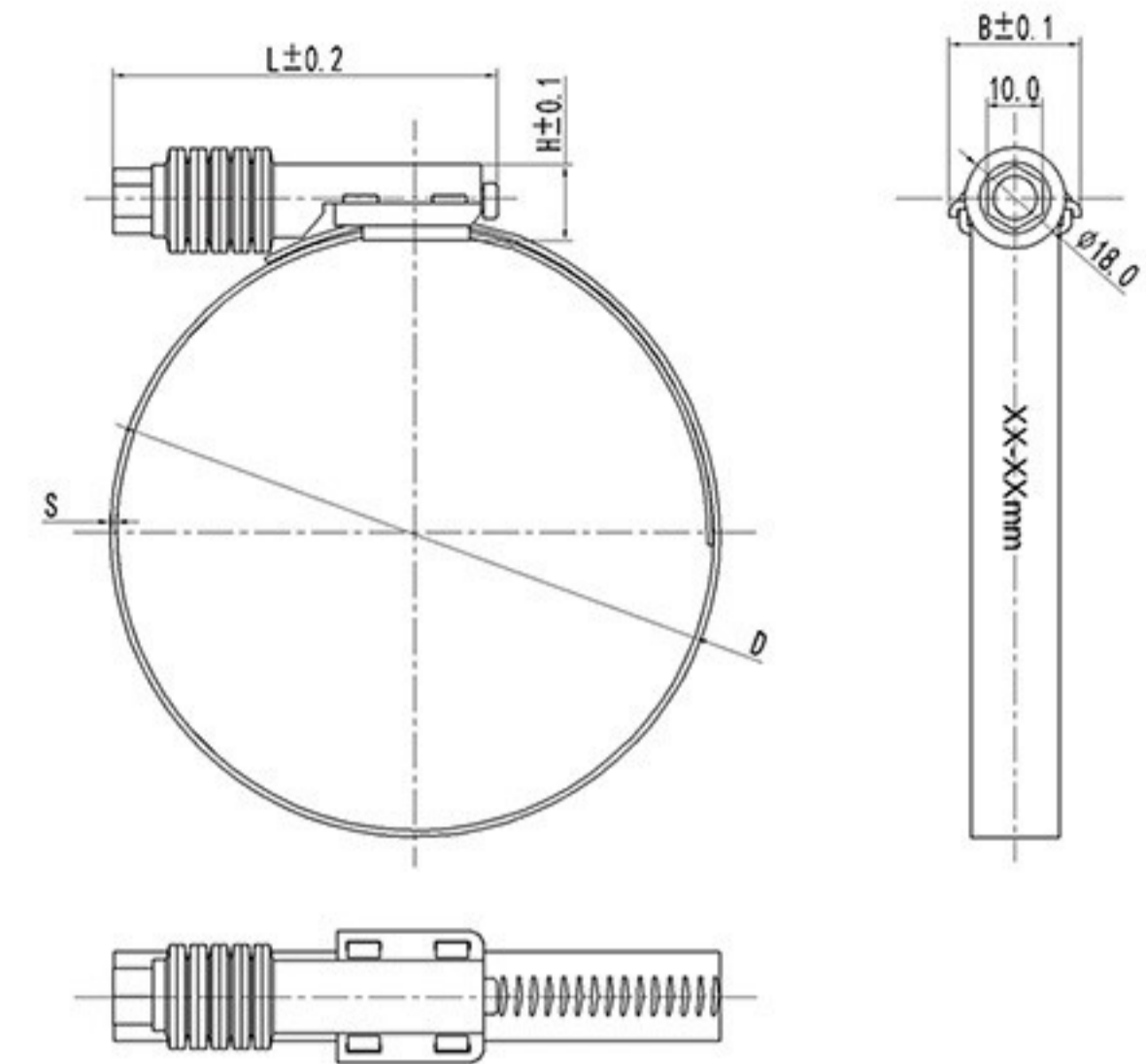
- Improved seal reliability over a wide temperature range
- Automatically re-tensioning when temperature changes
- High performance
- Lining helps to maintain consistent sealing pressure

### Applications:

engines for industrial machinery, heavy trucks, farm and off-road equipment

**Materials:** W2, W4, W5

**Bandwidth:** 15.8 mm



### Specifications & ordering information

Width (mm)	Designation	Clamping ranges		L (mm)	B (mm)	H (mm)	S (mm)	Product No.		
		D (mm)	D (in)					W2	W4	W5
15.8	BAR AT-HD 25-45/15.8	25-45	1-1 3/4	68.5	23.4	13	1.0	0769 201 045	0769 401 045	0769 501 045
	BAR AT-HD 32-54/15.8	32-54	1 1/4-2 1/8	68.5	23.4	13	1.0	0769 201 054	0769 401 054	0769 501 054
	BAR AT-HD 45-67/15.8	45-67	1 3/4-2 5/8	68.5	23.4	13	1.0	0769 201 067	0769 401 067	0769 501 067
	BAR AT-HD 57-79/15.8	57-79	2 1/4-3 1/8	68.5	23.4	13	1.0	0769 201 079	0769 401 079	0769 501 079
	BAR AT-HD 70-92/15.8	70-92	2 3/4-3 5/8	68.5	23.4	13	1.0	0769 201 092	0769 401 092	0769 501 092
	BAR AT-HD 83-105/15.8	83-105	3 1/4-4 1/8	68.5	23.4	13	1.0	0769 201 105	0769 401 105	0769 501 105
	BAR AT-HD 96-118/15.8	96-118	3 3/4-4 5/8	68.5	23.4	13	1.0	0769 201 118	0769 401 118	0769 501 118
	BAR AT-HD 108-131/15.8	108-131	4 1/4-5 1/8	68.5	23.4	13	1.0	0769 201 131	0769 401 131	0769 501 131
	BAR AT-HD 121-143/15.8	121-143	4 3/4-5 5/8	68.5	23.4	13	1.0	0769 201 143	0769 401 143	0769 501 143
	BAR AT-HD 134-156/15.8	134-156	5 1/4-6 1/8	68.5	23.4	13	1.0	0769 201 156	0769 401 156	0769 501 156
	BAR AT-HD 146-168/15.8	146-168	5 3/4-6 5/8	68.5	23.4	13	1.0	0769 201 168	0769 401 168	0769 501 168
	BAR AT-HD 159-181/15.8	159-181	6 1/4-7 1/8	68.5	23.4	13	1.0	0769 201 181	0769 401 181	0769 501 181
	BAR AT-HD 172-194/15.8	172-194	6 3/4-7 5/8	68.5	23.4	13	1.0	0769 201 194	0769 401 194	0769 501 194
	BAR AT-HD 184-206/15.8	184-206	7 1/4-8 1/8	68.5	23.4	13	1.0	0769 201 206	0769 401 206	0769 501 206
	BAR AT-HD 197-219/15.8	197-219	7 3/4-8 5/8	68.5	23.4	13	1.0	0769 201 219	0769 401 219	0769 501 219
BAR AT-HD 210-232/15.8	210-232	8 1/4-9 1/8	68.5	23.4	13	1.0	0769 201 232	0769 401 232	0769 501 232	

## T type hose clamp

T type heavy duty clamp can provide uniform sealing pressure and ensure reliable sealing. clamp use the welding structure to guarantee the reliability of hose clamp. Designed for heavy duty trucks, industrial machinery, off-road equipment, agricultural irrigation and machinery with high vibration and large diameter applications.

### Advantages:

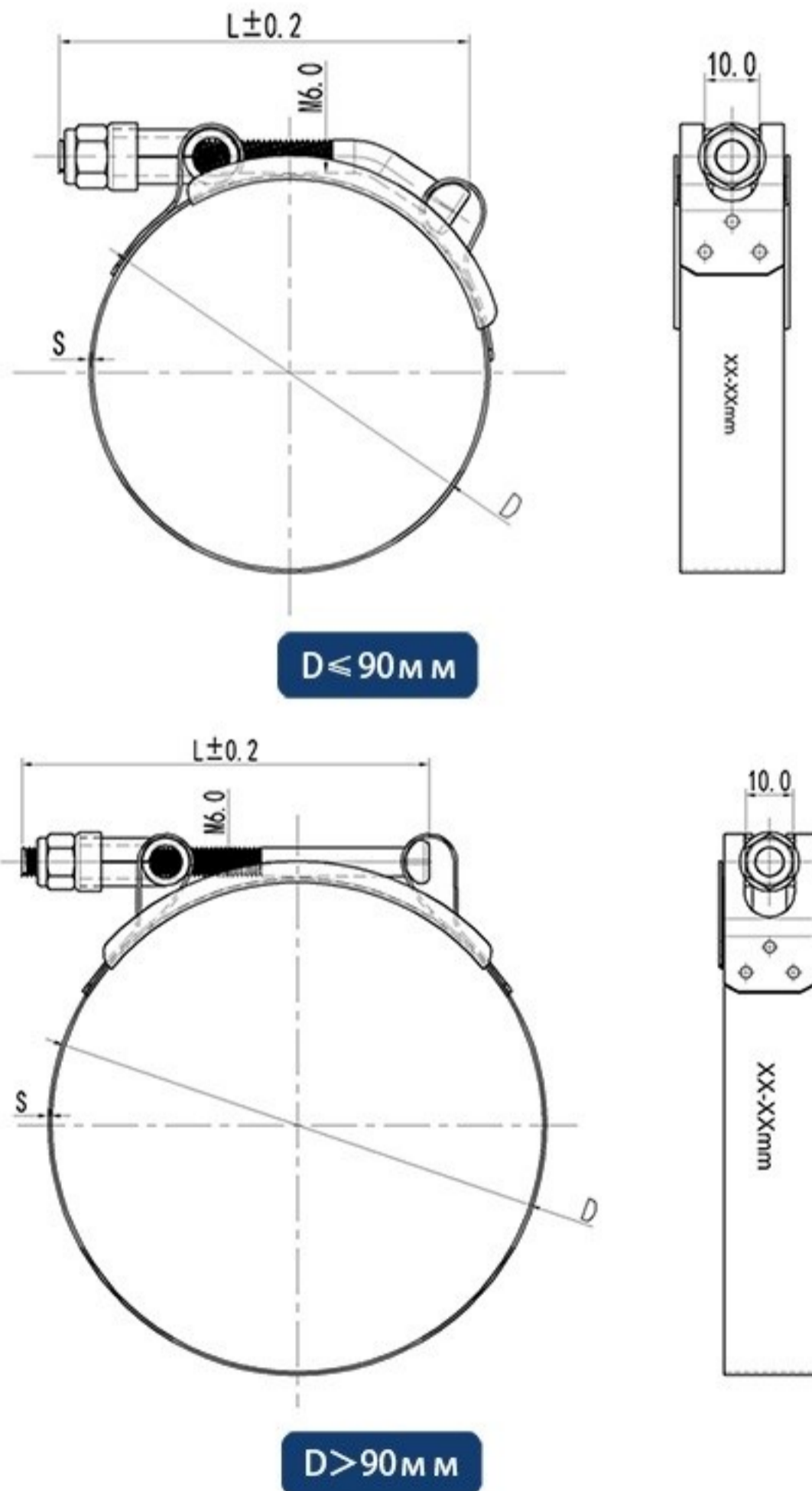
It can provide uniform and consistent sealing pressure to ensure reliable sealing.

### Applications:

Truck intake systems, intercooled systems, off-road equipment and industrial machinery.

**Materials:** W2, W4, W5

**Bandwidth:** 19 mm



Specifications & ordering information								
Width (mm)	Designation	Clamping ranges		L (mm)	S (mm)	Product No.		
		D (mm)	D (in)			W2	W4	W5
19	BAR T 35-40/19	35-40	1 3/8-1 9/16	65.0	0.6/0.8/1.0	0768 201 040	0768 401 040	0768 501 040
	BAR T 38-43/19	38-43	1 1/2-1 11/16	65.0	0.6/0.8/1.0	0768 201 043	0768 401 043	0768 501 043
	BAR T 41-46/19	41-46	1 5/8-1 13/16	65.0	0.6/0.8/1.0	0768 201 046	0768 401 046	0768 501 046
	BAR T 44-51/19	44-51	1 3/4-2	65.0	0.6/0.8/1.0	0768 201 051	0768 401 051	0768 501 051
	BAR T 48-56/19	48-56	1 7/8-2 3/16	75.0	0.6/0.8/1.0	0768 201 056	0768 401 056	0768 501 056
	BAR T 51-59/19	51-59	2-2 5/16	75.0	0.6/0.8/1.0	0768 201 059	0768 401 059	0768 501 059
	BAR T 54-62/19	54-62	2 1/8-2 7/16	75.0	0.6/0.8/1.0	0768 201 062	0768 401 062	0768 501 062
	BAR T 57-65/19	57-65	2 1/4-2 9/16	75.0	0.6/0.8/1.0	0768 201 065	0768 401 065	0768 501 065
	BAR T 60-68/19	60-68	2 3/8-2 11/16	75.0	0.6/0.8/1.0	0768 201 068	0768 401 068	0768 501 068
	BAR T 63-71/19	63-71	2 1/2-2 13/16	75.0	0.6/0.8/1.0	0768 201 071	0768 401 071	0768 501 071
	BAR T 67-75/19	67-75	2 5/8-2 15/16	75.0	0.6/0.8/1.0	0768 201 075	0768 401 075	0768 501 075
	BAR T 70-78/19	70-78	2 3/4-3 1/16	75.0	0.6/0.8/1.0	0768 201 078	0768 401 078	0768 501 078
	BAR T 73-81/19	73-81	2 7/8-3 3/16	85.0	0.6/0.8/1.0	0768 201 081	0768 401 081	0768 501 081
	BAR T 76-84/19	76-84	3-3 5/16	85.0	0.6/0.8/1.0	0768 201 084	0768 401 084	0768 501 084
	BAR T 79-87/19	79-87	3 1/8-3 7/16	85.0	0.6/0.8/1.0	0768 201 087	0768 401 087	0768 501 087
	BAR T 83-91/19	83-91	3 1/4-3 9/16	85.0	0.6/0.8/1.0	0768 201 091	0768 401 091	0768 501 091
	BAR T 86-94/19	86-94	3 3/8-3 11/16	85.0	0.6/0.8/1.0	0768 201 094	0768 401 094	0768 501 094
	BAR T 89-97/19	89-97	3 1/2-3 13/16	85.0	0.6/0.8/1.0	0768 201 097	0768 401 097	0768 501 097
	BAR T 92-100/19	92-100	3 5/8-3 15/16	85.0	0.6/0.8/1.0	0768 201 100	0768 401 100	0768 501 100
	BAR T 95-103/19	95-103	3 3/4-4 1/16	85.0	0.6/0.8/1.0	0768 201 103	0768 401 103	0768 501 103
	BAR T 102-110/19	102-110	4-4 5/16	90.0	0.6/0.8/1.0	0768 201 110	0768 401 110	0768 501 110
	BAR T 108-116/19	108-116	4 1/4-4 9/16	90.0	0.6/0.8/1.0	0768 201 116	0768 401 116	0768 501 116
	BAR T 114-122/19	114-122	4 1/2-4 13/16	90.0	0.6/0.8/1.0	0768 201 122	0768 401 122	0768 501 122
	BAR T 121-129/19	121-129	4 3/4-5 1/16	90.0	0.6/0.8/1.0	0768 201 129	0768 401 129	0768 501 129
	BAR T 127-135/19	127-135	5-5 5/16	90.0	0.6/0.8/1.0	0768 201 135	0768 401 135	0768 501 135
	BAR T 133-141/19	133-141	5 1/4-5 9/16	90.0	0.6/0.8/1.0	0768 201 141	0768 401 141	0768 501 141
	BAR T 140-148/19	140-148	5 1/2-5 13/16	90.0	0.6/0.8/1.0	0768 201 148	0768 401 148	0768 501 148
	BAR T 146-154/19	146-154	5 3/4-6 1/16	90.0	0.6/0.8/1.0	0768 201 154	0768 401 154	0768 501 154
	BAR T 152-160/19	152-160	6-6 5/16	90.0	0.6/0.8/1.0	0768 201 160	0768 401 160	0768 501 160
	BAR T 159-167/19	159-167	6 1/4-6 9/16	90.0	0.6/0.8/1.0	0768 201 167	0768 401 167	0768 501 167
BAR T 165-173/19	165-173	6 1/2-6 13/16	90.0	0.6/0.8/1.0	0768 201 173	0768 401 173	0768 501 173	
BAR T 172-180/19	172-180	6 3/4-7 1/16	90.0	0.6/0.8/1.0	0768 201 180	0768 401 180	0768 501 180	



## T type Spring hose clamp

T type spring hose clamp, spiral spring design can prevent leakage when temperature changes, and has self-compensation function (constant pressure). The T-shaped spring is made of high quality stainless steel and thin strip material, which can provide uniform sealing pressure through special bending process to form complete reliable sealing.

### Advantages:

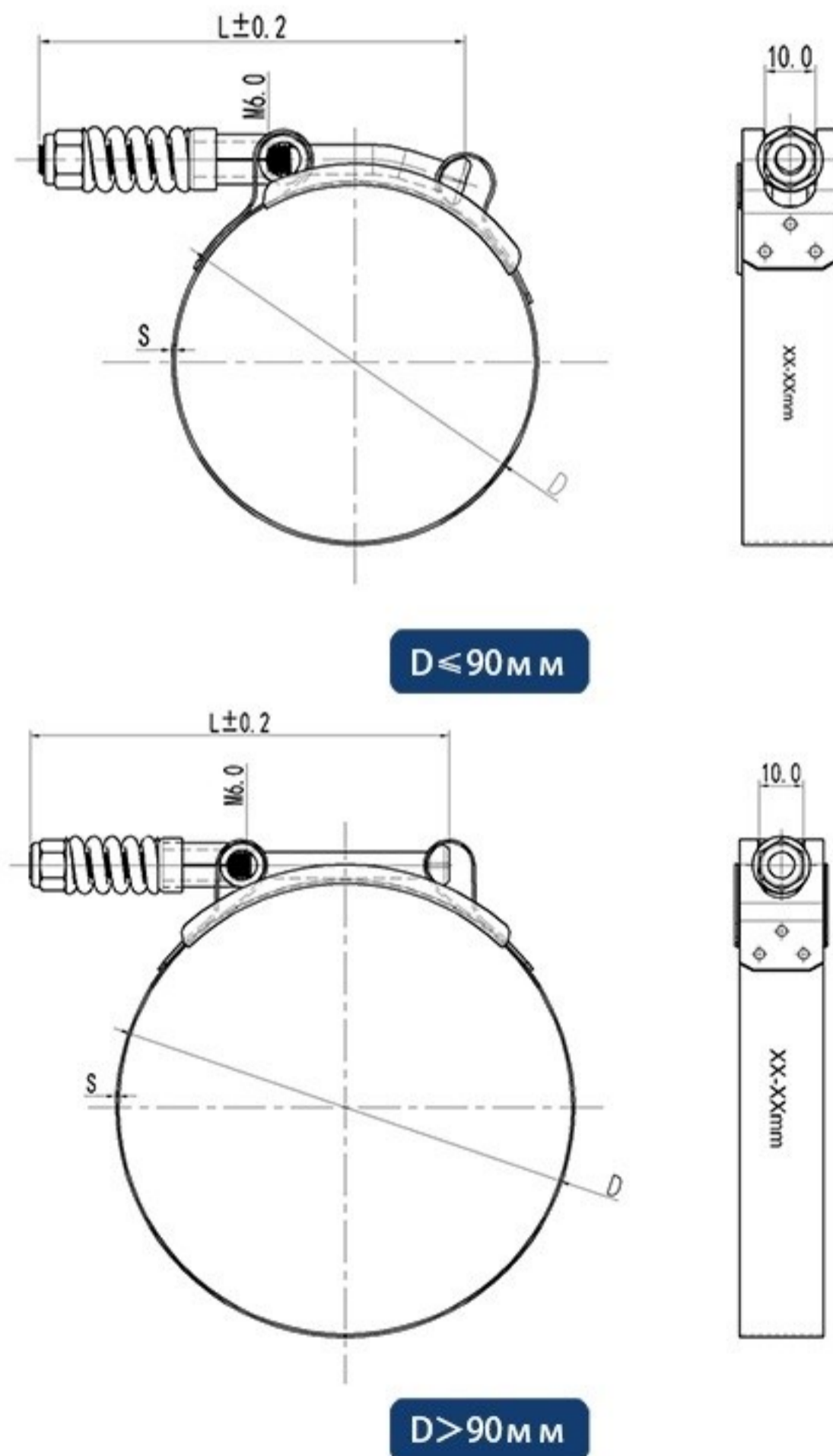
- High strength,
- Uniform and stable sealing pressure

### Applications:

Specially designed for vibration and large diameter environments, widely used for truck air intakes, cooling and ventilation systems.

**Materials:** W2, W4, W5

**Bandwidth:** 19 mm



Specifications & ordering information								
Width (mm)	Designation	Clamping ranges		L (mm)	S (mm)	Product No.		
		D (mm)	D (in)			W2	W4	W5
19	BAR T-S 55-60/19	55-60	2 3/16-2 3/8	85.0	0.6/0.8/1.0	0767 201 060	0767 401 060	0767 501 060
	BAR T-S 63-70/19	63-70	2 1/2-2 3/4	85.0	0.6/0.8/1.0	0767 201 070	0767 401 070	0767 501 070
	BAR T-S 64-71/19	64-71	2 1/2-2 13/16	85.0	0.6/0.8/1.0	0767 201 071	0767 401 071	0767 501 071
	BAR T-S 67-75/19	67-75	2 5/8-2 15/16	85.0	0.6/0.8/1.0	0767 201 075	0767 401 075	0767 501 075
	BAR T-S 70-78/19	70-78	2 3/4-3 1/16	85.0	0.6/0.8/1.0	0767 201 078	0767 401 078	0767 501 078
	BAR T-S 72-80/19	72-80	2 13/16-3 1/8	85.0	0.6/0.8/1.0	0767 201 080	0767 401 080	0767 501 080
	BAR T-S 73-81/19	73-81	2 7/8-3 3/16	85.0	0.6/0.8/1.0	0767 201 081	0767 401 081	0767 501 081
	BAR T-S 76-84/19	76-84	3-3 5/16	85.0	0.6/0.8/1.0	0767 201 084	0767 401 084	0767 501 084
	BAR T-S 77-85/19	77-85	3 1/16-3 3/8	85.0	0.6/0.8/1.0	0767 201 085	0767 401 085	0767 501 085
	BAR T-S 79-87/19	79-87	3 1/8-3 7/16	85.0	0.6/0.8/1.0	0767 201 087	0767 401 087	0767 501 087
	BAR T-S 83-90/19	83-90	3 1/4-3 9/16	85.0	0.6/0.8/1.0	0767 201 090	0767 401 090	0767 501 090
	BAR T-S 86-94/19	86-94	3 3/8-3 11/16	95.0	0.6/0.8/1.0	0767 201 094	0767 401 094	0767 501 094
	BAR T-S 87-95/19	87-95	3 7/16-3 3/4	95.0	0.6/0.8/1.0	0767 201 095	0767 401 095	0767 501 095
	BAR T-S 89-97/19	89-97	3 1/2-3 13/16	95.0	0.6/0.8/1.0	0767 201 097	0767 401 097	0767 501 097
	BAR T-S 92-100/19	92-100	3 5/8-3 15/16	95.0	0.6/0.8/1.0	0767 201 100	0767 401 100	0767 501 100
	BAR T-S 95-103/19	95-103	3 3/4-4 1/16	95.0	0.6/0.8/1.0	0767 201 103	0767 401 103	0767 501 103
	BAR T-S 99-106/19	99-106	3 7/8-4 3/16	95.0	0.6/0.8/1.0	0767 201 106	0767 401 106	0767 501 106
	BAR T-S 102-109/19	102-109	4-4 5/16	95.0	0.6/0.8/1.0	0767 201 109	0767 401 109	0767 501 109
	BAR T-S 103-110/19	103-110	4 1/16-4 5/16	95.0	0.6/0.8/1.0	0767 201 110	0767 401 110	0767 501 110
	BAR T-S 105-113/19	105-113	4 1/8-4 7/16	95.0	0.6/0.8/1.0	0767 201 113	0767 401 113	0767 501 113
	BAR T-S 107-115/19	107-115	4 3/16-4 1/2	95.0	0.6/0.8/1.0	0767 201 115	0767 401 115	0767 501 115
	BAR T-S 108-116/19	108-116	4 1/4-4 9/16	95.0	0.6/0.8/1.0	0767 201 116	0767 401 116	0767 501 116
	BAR T-S 111-119/19	111-119	4 3/8-4 11/16	95.0	0.6/0.8/1.0	0767 201 119	0767 401 119	0767 501 119
	BAR T-S 112-120/19	112-120	4 7/16-4 3/4	95.0	0.6/0.8/1.0	0767 201 120	0767 401 120	0767 501 120
BAR T-S 114-122/19	114-122	4 1/2-4 13/16	95.0	0.6/0.8/1.0	0767 201 122	0767 401 122	0767 501 122	
BAR T-S 130-138/19	130-138	5 1/8-5 7/16	95.0	0.6/0.8/1.0	0767 201 138	0767 401 138	0767 501 138	
BAR T-S 132-140/19	132-140	5 3/16-5 1/2	95.0	0.6/0.8/1.0	0767 201 140	0767 401 140	0767 501 140	
BAR T-S 138-146/19	138-146	5 7/16-5 3/4	95.0	0.6/0.8/1.0	0767 201 146	0767 401 146	0767 501 146	
BAR T-S 140-148/19	140-148	5 1/2-5 13/16	95.0	0.6/0.8/1.0	0767 201 148	0767 401 148	0767 501 148	
BAR T-S 152-160/19	152-160	6-6 5/16	95.0	0.6/0.8/1.0	0767 201 160	0767 401 160	0767 501 160	

## U type hose clamp

U clamp is used for pipe fixation on a variety of surfaces and support structures, not only for exhaust systems.

You can choose M6, M8, M10, M12 bolts.

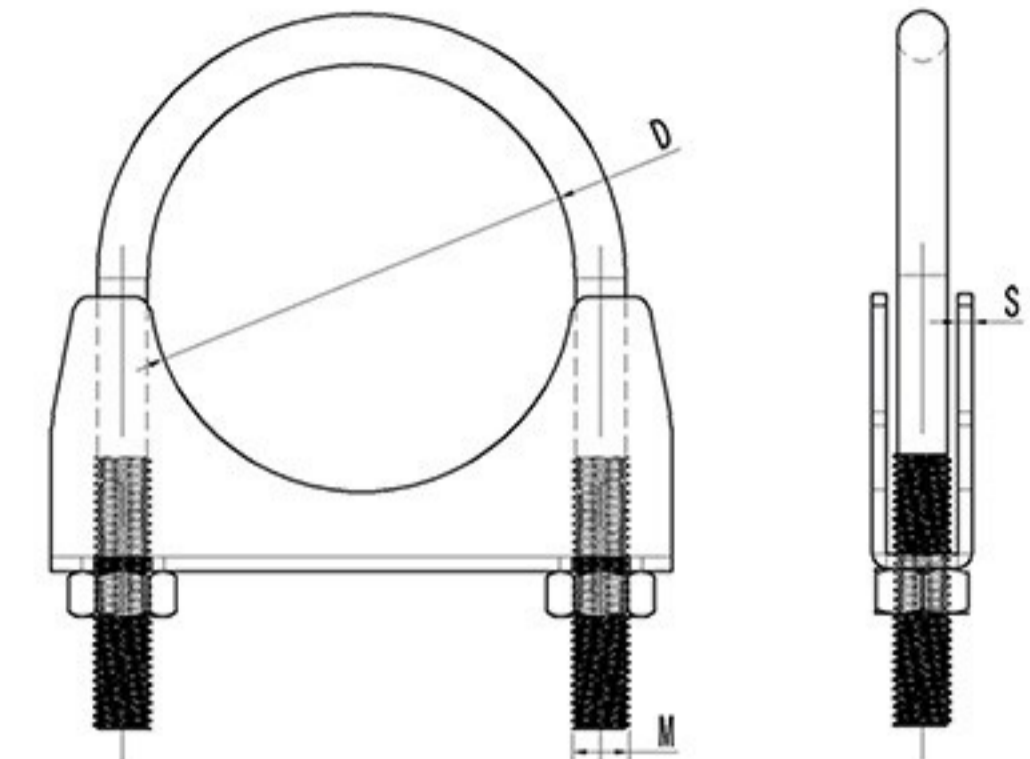
### Advantages:

U-shaped tube clamp is stamped, sheet metal, surface galvanized, and formed in a "U" shape, with unique advantages of damping, sound absorption and wear resistance.

### Applications:

Exhaust system, Sign installation, The antenna

**Materials:** W1, W4



Specifications & ordering information						
Screw (mm)	Designation	Clamping ranges		S (mm)	Product No.	
		D (mm)	D (in)		W1	W4
M6	BAR U 28/M6	28	1 1/8	2.0	0766 101 028	0766 401 028
	BAR U 32/M6	32	1 1/4	2.0	0766 101 032	0766 401 032
	BAR U 35/M6	35	1 3/8	2.0	0766 101 035	0766 401 035
	BAR U 38/M6	38	1 1/2	2.0	0766 101 038	0766 401 038
	BAR U 45/M6	45	1 3/4	2.0	0766 101 045	0766 401 045
	BAR U 48/M6	48	1 7/8	2.0	0766 101 048	0766 401 048
	BAR U 51/M6	51	2	2.0	0766 101 051	0766 401 051
	BAR U 54/M6	54	2 1/8	2.0	0766 101 054	0766 401 054
	BAR U 57/M6	57	2 1/4	2.0	0766 101 057	0766 401 057
	BAR U 60/M6	60	2 3/8	2.0	0766 101 060	0766 401 060
	BAR U 64/M6	64	2 1/2	2.0	0766 101 064	0766 401 064
	BAR U 67/M6	67	2 5/8	2.0	0766 101 067	0766 401 067
	BAR U 70/M6	70	2 3/4	2.0	0766 101 070	0766 401 070
	BAR U 73/M6	73	2 7/8	2.0	0766 101 073	0766 401 073
	BAR U 76/M6	76	3	2.0	0766 101 076	0766 401 076
	BAR U 83/M6	83	3 1/4	2.0	0766 101 083	0766 401 083
	BAR U 89/M6	89	3 1/2	2.0	0766 101 089	0766 401 089
	BAR U 95/M6	95	3 3/4	2.0	0766 101 095	0766 401 095
BAR U 102/M6	102	4	2.0	0766 101 102	0766 401 102	
M10	BAR U 38/M10	38	1 1/2	2.0	0766 103 038	0766 403 038
	BAR U 45/M10	45	1 3/4	2.0	0766 103 045	0766 403 045
	BAR U 48/M10	48	1 7/8	2.0	0766 103 048	0766 403 048
	BAR U 51/M10	51	2	2.0	0766 103 051	0766 403 051
	BAR U 54/M10	54	2 1/8	2.0	0766 103 054	0766 403 054
	BAR U 57/M10	57	2 1/4	2.0	0766 103 057	0766 403 057
	BAR U 60/M10	60	2 3/8	2.0	0766 103 060	0766 403 060
	BAR U 64/M10	64	2 1/2	2.0	0766 103 064	0766 403 064
	BAR U 67/M10	67	2 5/8	2.0	0766 103 067	0766 403 067
	BAR U 70/M10	70	2 3/4	2.0	0766 103 070	0766 403 070
	BAR U 73/M10	73	2 7/8	2.0	0766 103 073	0766 403 073
	BAR U 76/M10	76	3	2.0	0766 103 076	0766 403 076
	BAR U 83/M10	83	3 1/4	2.0	0766 103 083	0766 403 083
	BAR U 89/M10	89	3 1/2	2.0	0766 103 089	0766 403 089
	BAR U 95/M10	95	3 3/4	2.0	0766 103 095	0766 403 095
	BAR U 102/M10	102	4	2.0	0766 103 102	0766 403 102

Specifications & ordering information						
Screw (mm)	Designation	Clamping ranges		S (mm)	Product No.	
		D (mm)	D (in)		W1	W4
M8	BAR U 28/M8	28	1 1/8	2.0	0766 102 028	0766 402 028
	BAR U 32/M8	32	1 1/4	2.0	0766 102 032	0766 402 032
	BAR U 35/M8	35	1 3/8	2.0	0766 102 035	0766 402 035
	BAR U 38/M8	38	1 1/2	2.0	0766 102 038	0766 402 038
	BAR U 45/M8	45	1 3/4	2.0	0766 102 045	0766 402 045
	BAR U 48/M8	48	1 7/8	2.0	0766 102 048	0766 402 048
	BAR U 51/M8	51	2	2.0	0766 102 051	0766 402 051
	BAR U 54/M8	54	2 1/8	2.0	0766 102 054	0766 402 054
	BAR U 57/M8	57	2 1/4	2.0	0766 102 057	0766 402 057
	BAR U 60/M8	60	2 3/8	2.0	0766 102 060	0766 402 060
	BAR U 64/M8	64	2 1/2	2.0	0766 102 064	0766 402 064
	BAR U 67/M8	67	2 5/8	2.0	0766 102 067	0766 402 067
	BAR U 70/M8	70	2 3/4	2.0	0766 102 070	0766 402 070
	BAR U 73/M8	73	2 7/8	2.0	0766 102 073	0766 402 073
	BAR U 76/M8	76	3	2.0	0766 102 076	0766 402 076
	BAR U 83/M8	83	3 1/4	2.0	0766 102 083	0766 402 083
	BAR U 89/M8	89	3 1/2	2.0	0766 102 089	0766 402 089
	BAR U 95/M8	95	3 3/4	2.0	0766 102 095	0766 402 095
BAR U 102/M8	102	4	2.0	0766 102 102	0766 402 102	
M12	BAR U 38/M12	38	1 1/2	2.0	0766 104 038	0766 404 038
	BAR U 45/M12	45	1 3/4	2.0	0766 104 045	0766 404 045
	BAR U 48/M12	48	1 7/8	2.0	0766 104 048	0766 404 048
	BAR U 51/M12	51	2	2.0	0766 104 051	0766 404 051
	BAR U 54/M12	54	2 1/8	2.0	0766 104 054	0766 404 054
	BAR U 57/M12	57	2 1/4	2.0	0766 104 057	0766 404 057
	BAR U 60/M12	60	2 3/8	2.0	0766 104 060	0766 404 060
	BAR U 64/M12	64	2 1/2	2.0	0766 104 064	0766 404 064
	BAR U 67/M12	67	2 5/8	2.0	0766 104 067	0766 404 067
	BAR U 70/M12	70	2 3/4	2.0	0766 104 070	0766 404 070
	BAR U 73/M12	73	2 7/8	2.0	0766 104 073	0766 404 073
	BAR U 76/M12	76	3	2.0	0766 104 076	0766 404 076



## V Band Hose Clamp

V band groove clamp can realize the fast and safe installation of the flange. This clamp has the characteristics of high torque and high sealing pressure. It is applied to seal flange joints.

### Advantages:

Quick and convenient installation, small installation space required, high strength, good sealing performance, Clamp can be made according to OEM specifications and accept customization. You can also select alloys that operate in harsh environments.

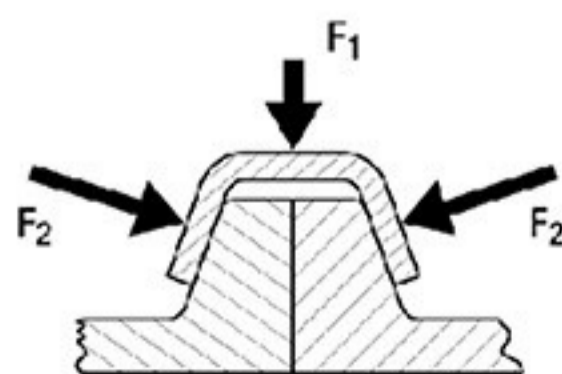
### Applications:

Filter card caps, turbocharging systems, exhaust systems and industrial applications requiring flanged connections.

**Materials:** W2, W4, W5

### Sealing principle:

V groove clamp is suitable for the interface of two plane connection of oblique Angle by tightening the fastening screws on groove clamp. The screw tightening force will produce a force in the direction of the clamp diameter vertical downward (as shown in figure F1), F1 forces through the clamp groove and the connected two contact surfaces are disintegrated to the two horizontal forces as shown in the figure (figure F2). Two connected flanges are squeezed together through the clamp groove to implement two fittings sealing.



## All profiles at a glance



BAR V T-1



BAR V T-2



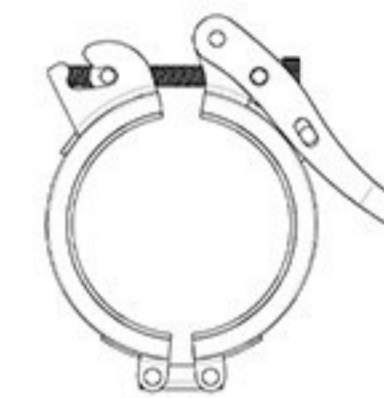
BAR V SS-1



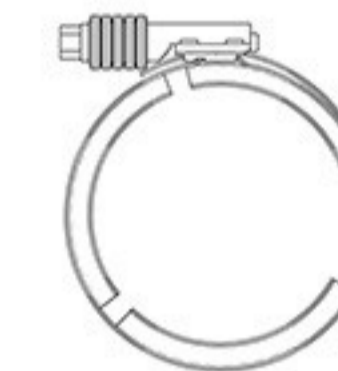
BAR V SS-2



BAR V QP-1



BAR V QP-2



BAR V AT-1



BAR V AT-2

Profile types									
Product No.	0765 001 ...	Product No.	0765 002 ...	Product No.	0765 003 ...	Product No.	0765 004 ...	Product No.	0765 005 ...
Specification	Φ 111-Φ 337	Specification	Φ 76-Φ 468	Specification	Φ 107-Φ 264	Specification	Φ 116-Φ 275	Specification	Φ 72-Φ 212
Product No.	0765 006 ...	Product No.	0765 007 ...	Product No.	0765 008 ...	Product No.	0765 009 ...	Product No.	0765 010 ...
Specification	Φ 92-Φ 237	Specification	Φ 130-Φ 340	Specification	Φ 128-Φ 388	Specification	Φ 130-Φ 403	Specification	Φ 111-Φ 400
Product No.	0765 011 ...	Product No.	0765 012 ...	Product No.	0765 013 ...				
Specification	Φ 68-Φ 373	Specification	Φ 68-Φ 373	Specification	Φ 130-Φ 750				



## Solid single bolt hose clamp

Strong acid and alkali resistant clamps can be used in areas requiring greater fastening force - such as agriculture, irrigation, drainage systems, sludge suction, large hose and reinforcement hose, using three point projection welding, strong structure, with good durability and safety functions. The tongue and smooth underside provide a good contact surface for the hose, so they are also well sealed. Widely used in places where the tightening force of thick wall hose is strong.

### Advantages:

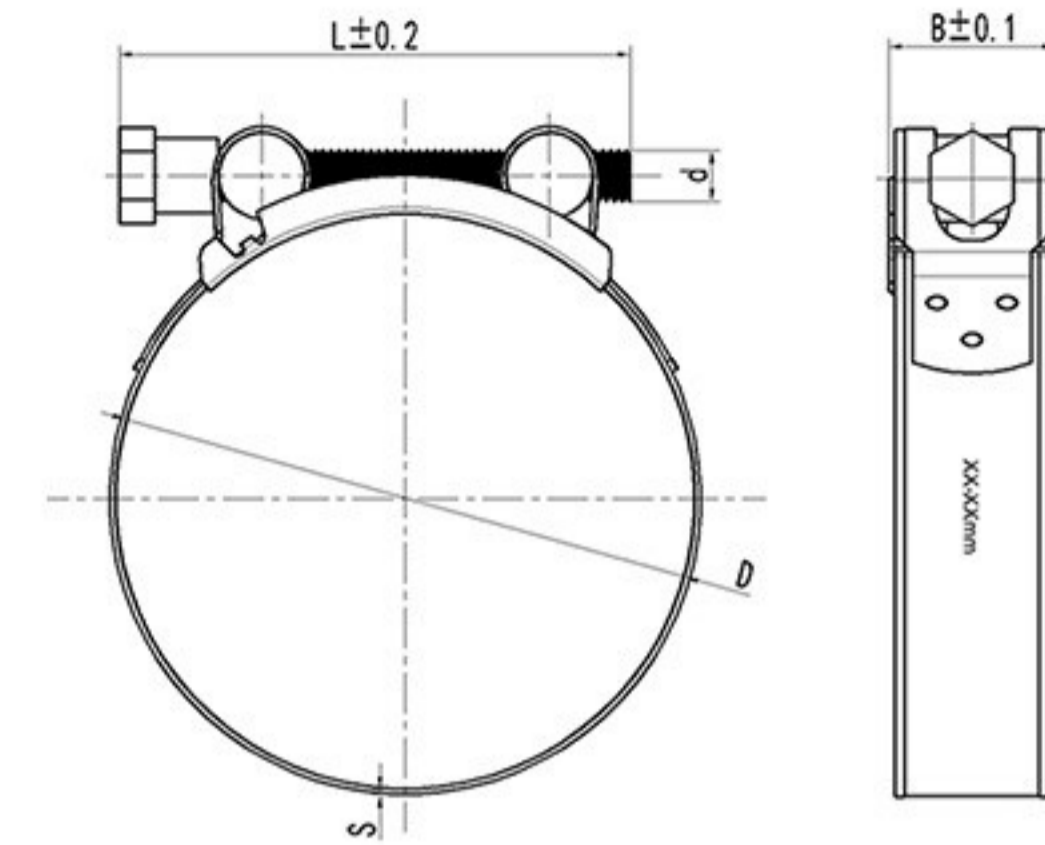
Large volume, strong torque, good sealing, can be repeatedly installed and disassembled

### Applications:

For large/reinforced hoses, Agriculture, Irrigation, Drainage system, Sludge absorption.

**Materials:** W1, W2, W4, W5

**Bandwidths:** 18mm, 20mm, 22mm, 24mm, 26mm



### Specifications & ordering information

Width (mm)	Designation	Clamping ranges		L (mm)	B (mm)	d (mm)	S (mm)	S(W1) (mm)	Product No.			
		D (mm)	D (in)						W1	W2	W4	W5
18	GEM SS 17-19/18	17-19	11/16-3/4	50.0	20.0	M6	0.6	0.6	0859 101 019	0859 201 019	0859 401 019	0859 501 019
	GEM SS 20-22/18	20-22	13/16-7/8	50.0	20.0	M6	0.6	0.6	0859 101 022	0859 201 022	0859 401 022	0859 501 022
	GEM SS 23-25/18	23-25	15/16-1	50.0	20.0	M6	0.6	0.6	0859 101 025	0859 201 025	0859 401 025	0859 501 025
	GEM SS 26-28/18	26-28	1-1 1/8	50.0	20.0	M6	0.6	0.6	0859 101 028	0859 201 028	0859 401 028	0859 501 028
20	GEM SS 29-31/20	29-31	1 1/8-1 1/4	55.0	22.0	M6	0.6	0.8	0859 102 031	0859 202 031	0859 402 031	0859 502 031
	GEM SS 32-35/20	32-35	1 1/4-1 3/8	55.0	22.0	M6	0.6	0.8	0859 102 035	0859 202 035	0859 402 035	0859 502 035
	GEM SS 36-39/20	36-39	1 7/16-1 9/16	55.0	22.0	M6	0.6	0.8	0859 102 039	0859 202 039	0859 402 039	0859 502 039
	GEM SS 40-43/20	40-43	1 9/16-1 11/16	55.0	22.0	M6	0.6	0.8	0859 102 043	0859 202 043	0859 402 043	0859 502 043
22	GEM SS 44-47/22	44-47	1 3/4-1 7/8	60.0	24.0	M6	0.8	1.2	0859 103 047	0859 203 047	0859 403 047	0859 503 047
	GEM SS 48-51/22	48-51	1 7/8-2	60.0	24.0	M6	0.8	1.2	0859 103 051	0859 203 051	0859 403 051	0859 503 051
	GEM SS 52-55/22	52-55	2 1/16-2 3/16	60.0	24.0	M6	0.8	1.2	0859 103 055	0859 203 055	0859 403 055	0859 503 055
	GEM SS 56-59/22	56-59	2 3/16-2 5/16	60.0	24.0	M6	0.8	1.2	0859 103 059	0859 203 059	0859 403 059	0859 503 059
	GEM SS 60-63/22	60-63	2 3/8-2 1/2	60.0	24.0	M6	0.8	1.2	0859 103 063	0859 203 063	0859 403 063	0859 503 063
	GEM SS 64-67/22	64-67	2 1/2-2 5/8	60.0	24.0	M6	0.8	1.2	0859 103 067	0859 203 067	0859 403 067	0859 503 067
24	GEM SS 68-73/24	68-73	2 11/16-2 7/8	80.0	26.0	M8	0.8	1.5	0859 104 073	0859 204 073	0859 404 073	0859 504 073
	GEM SS 74-79/24	74-79	2 15/16-3 1/8	80.0	26.0	M8	0.8	1.5	0859 104 079	0859 204 079	0859 404 079	0859 504 079
	GEM SS 80-85/24	80-85	3 1/8-3 3/8	80.0	26.0	M8	0.8	1.5	0859 104 085	0859 204 085	0859 404 085	0859 504 085
	GEM SS 86-91/24	86-91	3 3/8-3 9/16	80.0	26.0	M8	0.8	1.5	0859 104 091	0859 204 091	0859 404 091	0859 504 091
	GEM SS 92-97/24	92-97	3 5/8-3 3/16	80.0	26.0	M8	0.8	1.5	0859 104 097	0859 204 097	0859 404 097	0859 504 097
	GEM SS 98-103/24	98-103	3 7/8-4 1/16	80.0	26.0	M8	0.8	1.5	0859 104 103	0859 204 103	0859 404 103	0859 504 103
	GEM SS 104-112/24	104-112	4 1/8-4 7/16	80.0	26.0	M8	0.8	1.5	0859 104 112	0859 204 112	0859 404 112	0859 504 112
	GEM SS 113-121/24	113-121	4 7/16-4 3/4	80.0	26.0	M8	0.8	1.5	0859 104 121	0859 204 121	0859 404 121	0859 504 121
GEM SS 122-130/24	122-130	4 13/16-5 1/8	80.0	26.0	M8	0.8	1.5	0859 104 130	0859 204 130	0859 404 130	0859 504 130	
26	GEM SS 131-139/26	131-139	5 1/8-5 1/2	100.0	28.0	M10	1.0	1.7	0859 105 139	0859 205 139	0859 405 139	0859 505 139
	GEM SS 140-148/26	140-148	5 1/2-5 13/16	100.0	28.0	M10	1.0	1.7	0859 105 148	0859 205 148	0859 405 148	0859 505 148
	GEM SS 149-161/26	149-161	5 7/8-6 5/16	100.0	28.0	M10	1.0	1.7	0859 105 161	0859 205 161	0859 405 161	0859 505 161
	GEM SH 162-174/26	162-174	6 3/8-6 7/8	100.0	28.0	M10	1.0	1.7	0859 105 174	0859 205 174	0859 405 174	0859 505 174
	GEM SH 175-187/26	175-187	6 7/8-7 3/8	100.0	28.0	M10	1.0	1.7	0859 105 187	0859 205 187	0859 405 187	0859 505 187
	GEM SH 188-200/26	188-200	7 3/8-7 7/8	100.0	28.0	M10	1.0	1.7	0859 105 200	0859 205 200	0859 405 200	0859 505 200

## Hollow single bolt hose clamp

Especially suitable for sealing or fixing plastic or steel pipe fittings of high hardness steel, and there is suction sealing force or pressure inside. Be characterized by very high steel band tension. Easy to install, can be installed manually, can also be installed by electric or pneumatic tools.

### Advantages:

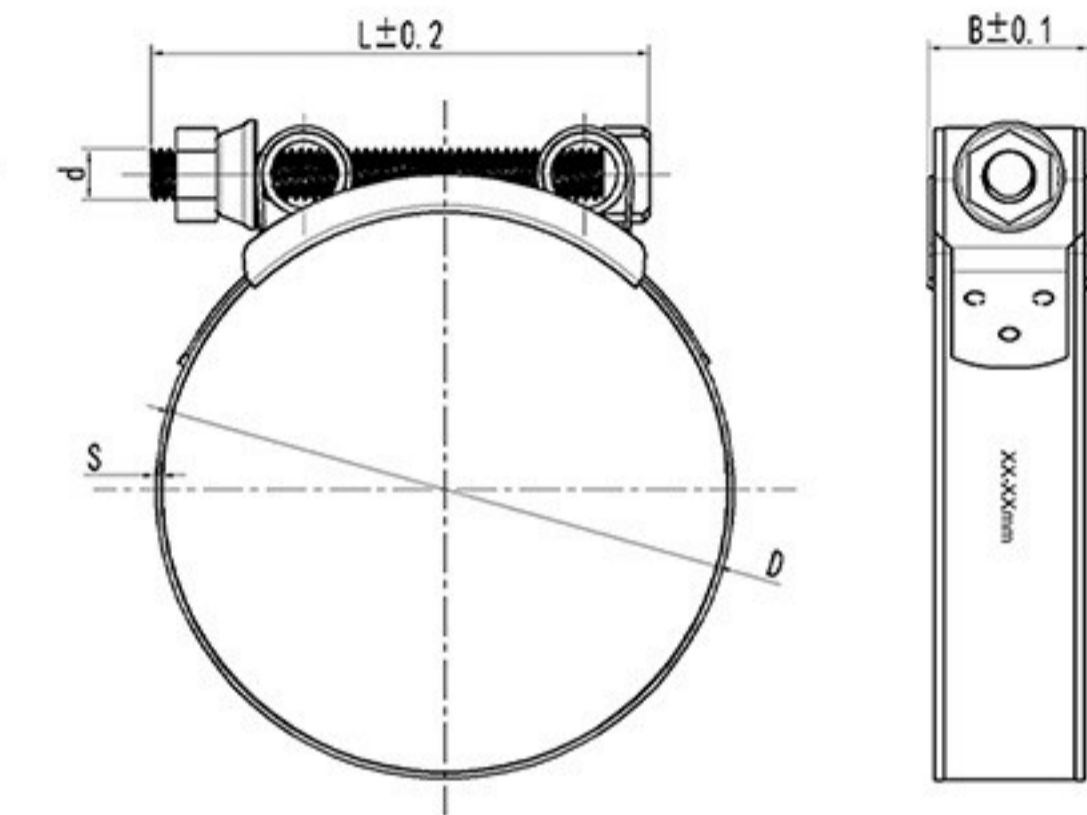
High torque, high tension, easy installation

### Applications:

Mechanical manufacturing, agricultural machinery, chemical industry, construction machinery, irrigation systems, engine manufacturing, shipbuilding, pumps and filters, railways, mining

**Materials:** W1, W2, W4, W5

**Bandwidths:** 18mm, 20mm, 22mm, 24mm, 26mm



### Specifications & ordering information

Width (mm)	Designation	Clamping ranges		L (mm)	B (mm)	d (mm)	S (mm)	S(W1) (mm)	Product No.			
		D (mm)	D (in)						W1	W2	W4	W5
18	GEM SH 17-19/18	17-19	11/16-3/4	50.0	20.0	M6	0.6	0.6	0858 101 019	0858 201 019	0858 401 019	0858 501 019
	GEM SH 20-22/18	20-22	13/16-7/8	50.0	20.0	M6	0.6	0.6	0858 101 022	0858 201 022	0858 401 022	0858 501 022
	GEM SH 23-25/18	23-25	15/16-1	50.0	20.0	M6	0.6	0.6	0858 101 025	0858 201 025	0858 401 025	0858 501 025
	GEM SH 26-28/18	26-28	1-1 1/8	50.0	20.0	M6	0.6	0.6	0858 101 028	0858 201 028	0858 401 028	0858 501 028
20	GEM SH 29-31/20	29-31	1 1/8-1 1/4	55.0	22.0	M6	0.6	0.8	0858 102 031	0858 202 031	0858 402 031	0858 502 031
	GEM SH 32-35/20	32-35	1 1/4-1 3/8	55.0	22.0	M6	0.6	0.8	0858 102 035	0858 202 035	0858 402 035	0858 502 035
	GEM SH 36-39/20	36-39	1 7/16-1 9/16	55.0	22.0	M6	0.6	0.8	0858 102 039	0858 202 039	0858 402 039	0858 502 039
	GEM SH 40-43/20	40-43	1 9/16-1 11/16	55.0	22.0	M6	0.6	0.8	0858 102 043	0858 202 043	0858 402 043	0858 502 043
22	GEM SH 44-47/22	44-47	1 3/4-1 7/8	60.0	24.0	M6	0.8	1.2	0858 103 047	0858 203 047	0858 403 047	0858 503 047
	GEM SH 48-51/22	48-51	1 7/8-2	60.0	24.0	M6	0.8	1.2	0858 103 051	0858 203 051	0858 403 051	0858 503 051
	GEM SH 52-55/22	52-55	2 1/16-2 3/16	60.0	24.0	M6	0.8	1.2	0858 103 055	0858 203 055	0858 403 055	0858 503 055
	GEM SH 56-59/22	56-59	2 3/16-2 5/16	60.0	24.0	M6	0.8	1.2	0858 103 059	0858 203 059	0858 403 059	0858 503 059
	GEM SH 60-63/22	60-63	2 3/8-2 1/2	60.0	24.0	M6	0.8	1.2	0858 103 063	0858 203 063	0858 403 063	0858 503 063
	GEM SH 64-67/22	64-67	2 1/2-2 5/8	60.0	24.0	M6	0.8	1.2	0858 103 067	0858 203 067	0858 403 067	0858 503 067
24	GEM SH 68-73/24	68-73	2 11/16-2 7/8	80.0	26.0	M8	0.8	1.5	0858 104 073	0858 204 073	0858 404 073	0858 504 073
	GEM SH 74-79/24	74-79	2 15/16-3 1/8	80.0	26.0	M8	0.8	1.5	0858 104 079	0858 204 079	0858 404 079	0858 504 079
	GEM SH 80-85/24	80-85	3 1/8-3 3/8	80.0	26.0	M8	0.8	1.5	0858 104 085	0858 204 085	0858 404 085	0858 504 085
	GEM SH 86-91/24	86-91	3 3/8-3 9/16	80.0	26.0	M8	0.8	1.5	0858 104 091	0858 204 012	0858 404 012	0858 504 012
	GEM SH 92-97/24	92-97	3 5/8-3 3/16	80.0	26.0	M8	0.8	1.5	0858 104 097	0858 204 097	0858 404 097	0858 504 097
	GEM SH 98-103/24	98-103	3 7/8-4 1/16	80.0	26.0	M8	0.8	1.5	0858 104 103	0858 204 103	0858 404 103	0858 504 103
	GEM SH 104-112/24	104-112	4 1/8-4 7/16	80.0	26.0	M8	0.8	1.5	0858 104 112	0858 204 112	0858 404 112	0858 504 112
	GEM SH 113-121/24	113-121	4 7/16-4 3/4	80.0	26.0	M8	0.8	1.5	0858 104 121	0858 204 121	0858 404 121	0858 504 121
GEM SH 122-130/24	122-130	4 13/16-5 1/8	80.0	26.0	M8	0.8	1.5	0858 104 130	0858 204 130	0858 404 130	0858 504 130	
26	GEM SH 131-139/26	131-139	5 1/8-5 1/2	100.0	28.0	M10	1.0	1.7	0858 105 139	0858 205 139	0858 405 139	0858 505 139
	GEM SH 140-148/26	140-148	5 1/2-5 13/16	100.0	28.0	M10	1.0	1.7	0858 105 148	0858 205 148	0858 405 148	0858 505 148
	GEM SH 149-161/26	149-161	5 7/8-6 5/16	100.0	28.0	M10	1.0	1.7	0858 105 161	0858 205 161	0858 405 161	0858 505 161
	GEM SH 162-174/26	162-174	6 3/8-6 7/8	100.0	28.0	M10	1.0	1.7	0858 105 174	0858 205 174	0858 405 174	0858 505 174
	GEM SH 175-187/26	175-187	6 7/8-7 3/8	100.0	28.0	M10	1.0	1.7	0858 105 187	0858 205 187	0858 405 187	0858 505 187
	GEM SH 188-200/26	188-200	7 3/8-7 7/8	100.0	28.0	M10	1.0	1.7	0858 105 200	0858 205 200	0858 405 200	0858 505 200

## MG Pipe Clamp

Overall design of clamps, super structure, with good durability and safety function. Widely used in places where the tightening force of thick wall hose is strong.

### Advantages:

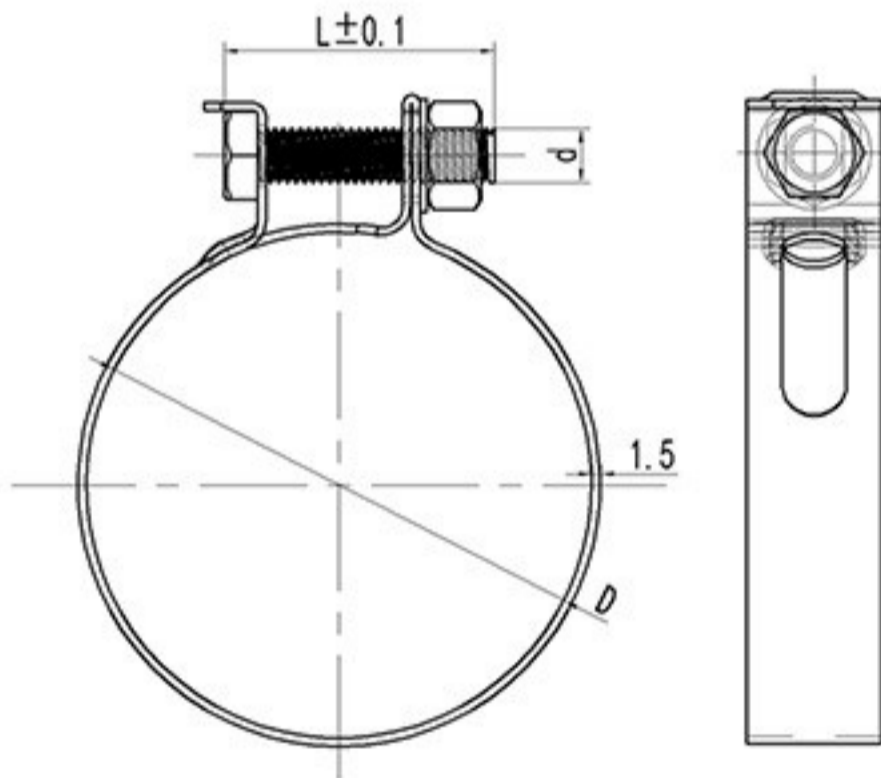
Strong torque, good sealing, can be repeatedly installed and disassembled

### Applications:

Agriculture, irrigation, drainage system, exhaust system

**Materials:** W1, W2, W4, W5

**Bandwidths:** 20mm, 32mm



Specifications & ordering information											
Width (mm)	Designation	Clamping ranges		L (mm)	d (mm)	S (mm)	S(W1) (mm)	Product No.			
		D (mm)	D (in)					W1	W2	W4	W5
20	GEM MG 17-20/20	17-20	11/16-13/16	40.0	M8	1.2	1.5	0857 101 020	0857 201 020	0857 401 020	0857 501 020
	GEM MG 19-22/20	19-22	3/4-7/8	40.0	M8	1.2	1.5	0857 101 022	0857 201 022	0857 401 022	0857 501 022
	GEM MG 20-26/20	20-26	13/16-1	40.0	M8	1.2	1.5	0857 101 026	0857 201 026	0857 401 026	0857 501 026
	GEM MG 22-28/20	22-28	7/8-1 1/8	40.0	M8	1.2	1.5	0857 101 028	0857 201 028	0857 401 028	0857 501 028
	GEM MG 29-32/20	29-32	1 1/8-1 1/4	55.0	M8	1.2	1.5	0857 101 032	0857 201 032	0857 401 032	0857 501 032
	GEM MG 30-34/20	30-34	1 3/16-1 5/16	55.0	M8	1.2	1.5	0857 101 034	0857 201 034	0857 401 034	0857 501 034
	GEM MG 35-40/20	35-40	1 3/8-1 9/16	55.0	M8	1.2	1.5	0857 101 040	0857 201 040	0857 401 040	0857 501 040
	GEM MG 38-47/20	38-47	1 1/2-1 7/8	55.0	M8	1.2	1.5	0857 101 047	0857 201 047	0857 401 047	0857 501 047
	GEM MG 48-56/20	48-56	1 7/8-2 3/16	55.0	M8	1.2	1.5	0857 101 056	0857 201 056	0857 401 056	0857 501 056
	GEM MG 54-62/20	54-62	2 1/8-2 7/16	65.0	M8	1.2	1.5	0857 101 062	0857 201 062	0857 401 062	0857 501 062
	GEM MG 67-75/20	67-75	2 5/8-2 15/16	65.0	M8	1.2	1.5	0857 101 075	0857 201 075	0857 401 075	0857 501 075
	GEM MG 79-87/20	79-87	3 1/8-3 7/16	65.0	M8	1.2	1.5	0857 101 087	0857 201 087	0857 401 087	0857 501 087
	GEM MG 105-117/20	105-117	4 1/8-4 5/8	65.0	M8	1.2	1.5	0857 101 117	0857 201 117	0857 401 117	0857 501 117
32	GEM MG 29-32/32	29-32	1 1/8-1 1/4	60.0	M12	2.0	2.0	0857 102 032	0857 202 032	0857 402 032	0857 502 032
	GEM MG 35-40/32	35-40	1 3/8-1 9/16	60.0	M12	2.0	2.0	0857 102 040	0857 202 040	0857 402 040	0857 502 040
	GEM MG 39-47/32	39-47	1 9/16-1 7/8	60.0	M12	2.0	2.0	0857 102 047	0857 202 047	0857 402 047	0857 502 047
	GEM MG 48-56/32	48-56	1 7/8-2 3/16	70.0	M12	2.0	2.0	0857 102 056	0857 202 056	0857 402 056	0857 502 056
	GEM MG 54-62/32	54-62	2 1/8-2 7/16	70.0	M12	2.0	2.0	0857 102 062	0857 202 062	0857 402 062	0857 502 062
	GEM MG 61-69/32	61-69	2 3/8-2 3/4	70.0	M12	2.0	2.0	0857 102 069	0857 202 069	0857 402 069	0857 502 069
	GEM MG 67-75/32	67-75	2 5/8-2 15/16	70.0	M12	2.0	2.0	0857 102 075	0857 202 075	0857 402 075	0857 502 075
	GEM MG 73-81/32	73-81	2 7/8-3 3/16	80.0	M12	2.0	2.0	0857 102 081	0857 202 081	0857 402 081	0857 502 081
	GEM MG 79-87/32	79-87	3 1/8-3 7/16	80.0	M12	2.0	2.0	0857 102 087	0857 202 087	0857 402 087	0857 502 087
	GEM MG 86-94/32	86-94	3 3/8-3 11/16	80.0	M12	2.0	2.0	0857 102 094	0857 202 094	0857 402 094	0857 502 094
	GEM MG 92-100/32	92-100	3 5/8-3 15/16	80.0	M12	2.0	2.0	0857 102 100	0857 202 100	0857 402 100	0857 502 100
	GEM MG 99-107/32	99-107	3 7/8-4 3/16	80.0	M12	2.0	2.0	0857 102 107	0857 202 107	0857 402 107	0857 502 107
	GEM MG 105-117/32	105-117	4 1/8-4 5/8	80.0	M12	2.0	2.0	0857 102 117	0857 202 117	0857 402 117	0857 502 117
	GEM MG 117-129/32	117-129	4 5/8-5 1/16	100.0	M12	2.0	2.0	0857 102 129	0857 202 129	0857 402 129	0857 502 129
	GEM MG 124-136/32	124-136	4 7/8-5 3/8	100.0	M12	2.0	2.0	0857 102 136	0857 202 136	0857 402 136	0857 502 136
	GEM MG 137-149/32	137-149	5 3/8-5 7/8	100.0	M12	2.0	2.0	0857 102 149	0857 202 149	0857 402 149	0857 502 149
	GEM MG 149-161/32	149-161	5 7/8-6 3/8	100.0	M12	2.0	2.0	0857 102 161	0857 202 161	0857 402 161	0857 502 161
	GEM MG 162-174/32	162-174	6 3/8-6 7/8	100.0	M12	2.0	2.0	0857 102 174	0857 202 174	0857 402 174	0857 502 174
	GEM MG 175-188/32	175-188	6 7/8-7 3/8	100.0	M12	2.0	2.0	0857 102 188	0857 202 188	0857 402 188	0857 502 188
GEM MG 187-199/32	187-199	7 3/8-7 13/16	100.0	M12	2.0	2.0	0857 102 199	0857 202 199	0857 402 199	0857 502 199	
GEM MG 200-212/32	200-212	7 7/8-8 3/8	100.0	M12	2.0	2.0	0857 102 212	0857 202 212	0857 402 212	0857 502 212	
GEM MG 213-225/32	213-225	8 3/8-8 7/8	100.0	M12	2.0	2.0	0857 102 225	0857 202 225	0857 402 225	0857 502 225	

## Single Ear hose clamp

Flexible clamps, no screws, quick and reliable assembly. It is especially suitable for low to medium pressure applications and air transport. Once the clamp has been installed, it is tamper-proof.

### Advantages:

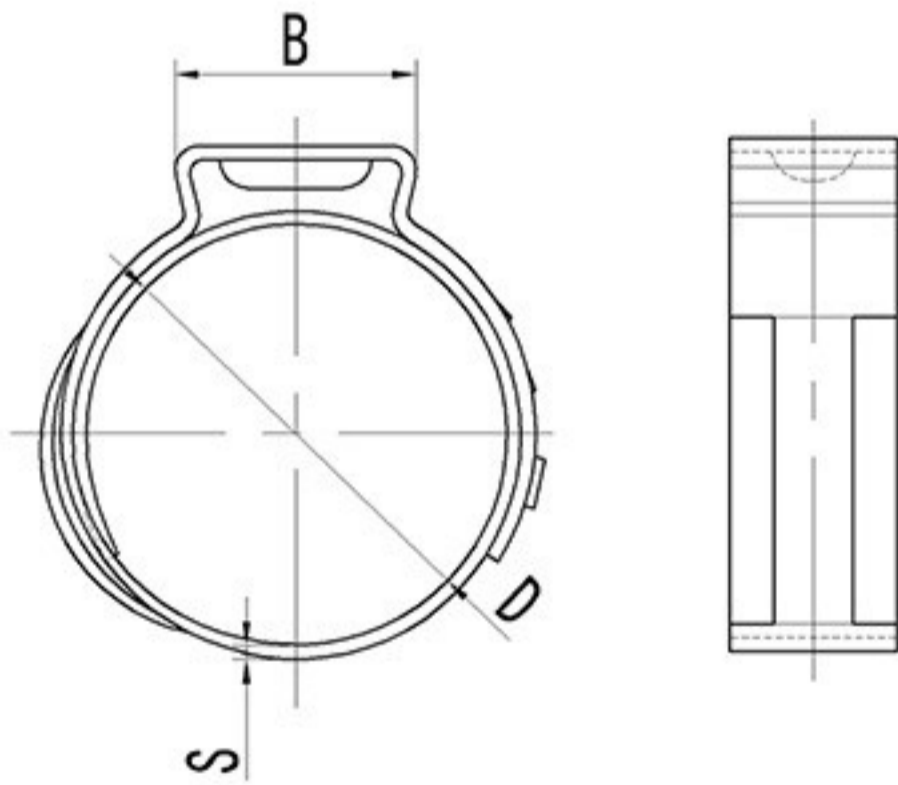
- Light weight, little interference
- Quick and easy installation
- Good sealing and fastening

### Applications:

Automobile pipeline, home appliance pipeline, trade export, mechanical equipment.

**Materials:** W4, W5

**Bandwidths:** 5mm, 7mm



Specifications & ordering information							
Width (mm)	Designation	Clamping ranges		B (mm)	S (mm)	Product No.	
		D (mm)	D (in)			W4	W5
5	RSM SE 6.5/5	6.5	1/4	4.0	0.5	0679 401 065	0679 501 065
	RSM SE 7/5	7.0	9/32	4.0	0.5	0679 401 070	0679 501 070
	RSM SE 8/5	8.0	5/16	4.0	0.5	0679 401 080	0679 501 080
	RSM SE 8.7/5	8.7	11/32	5.5	0.5	0679 401 087	0679 501 087
	RSM SE 9.5/5	9.5	3/8	5.5	0.5	0679 401 095	0679 501 095
	RSM SE 10.5/5	10.5	13/32	5.5	0.5	0679 401 105	0679 501 105
7	RSM SE 11.9/7	11.9	15/32	8.0	0.6	0679 402 119	0679 502 119
	RSM SE 13.3/7	13.3	17/32	8.0	0.6	0679 402 133	0679 502 133
	RSM SE 15.3/7	15.3	19/32	8.0	0.6	0679 402 153	0679 502 153
	RSM SE 17/7	17.0	21/32	8.0	0.6	0679 402 170	0679 502 170
	RSM SE 18.5/7	18.5	23/32	10.0	0.6	0679 402 185	0679 502 185
	RSM SE 21/7	21.0	13/16	10.0	0.6	0679 402 210	0679 502 210
	RSM SE 24.1/7	24.1	15/16	10.0	0.6	0679 402 241	0679 502 241
	RSM SE 26/7	26.0	1	10.0	0.6	0679 402 260	0679 502 260
	RSM SE 28.6/7	28.6	1 1/8	10.0	0.6	0679 402 286	0679 502 286
	RSM SE 34.6/7	34.6	1 3/8	10.0	0.6	0679 402 346	0679 502 346
	RSM SE 37.6/7	37.6	1 1/2	10.0	0.6	0679 402 376	0679 502 376
	RSM SE 42.5/7	42.5	1 11/16	10.0	0.6	0679 402 425	0679 502 425
	RSM SE 48.5/7	48.5	1 15/16	10.0	0.6	0679 402 485	0679 502 485
	RSM SE 56/7	56.0	2 3/16	10.0	0.6	0679 402 560	0679 502 560
	RSM SE 68/7	68.0	2 11/16	10.0	0.6	0679 402 680	0679 502 680
	RSM SE 71/7	71.0	2 13/16	10.0	0.6	0679 402 710	0679 502 710
	RSM SE 84/7	84.0	3 5/16	10.0	0.6	0679 402 840	0679 502 840
	RSM SE 92.5/7	92.5	3 5/8	10.0	0.6	0679 402 925	0679 502 925
RSM SE 111/7	111.0	4 3/8	10.0	0.6	0679 402 111	0679 502 111	
RSM SE 120.5/7	120.5	4 3/4	10.0	0.6	0679 402 120	0679 502 120	

## Mini hose clamp

Mini clamp is especially suitable for small, thin - walled hoses. Compared with the non-threaded clamps, this small clamp has excellent clamping force.

### Advantage:

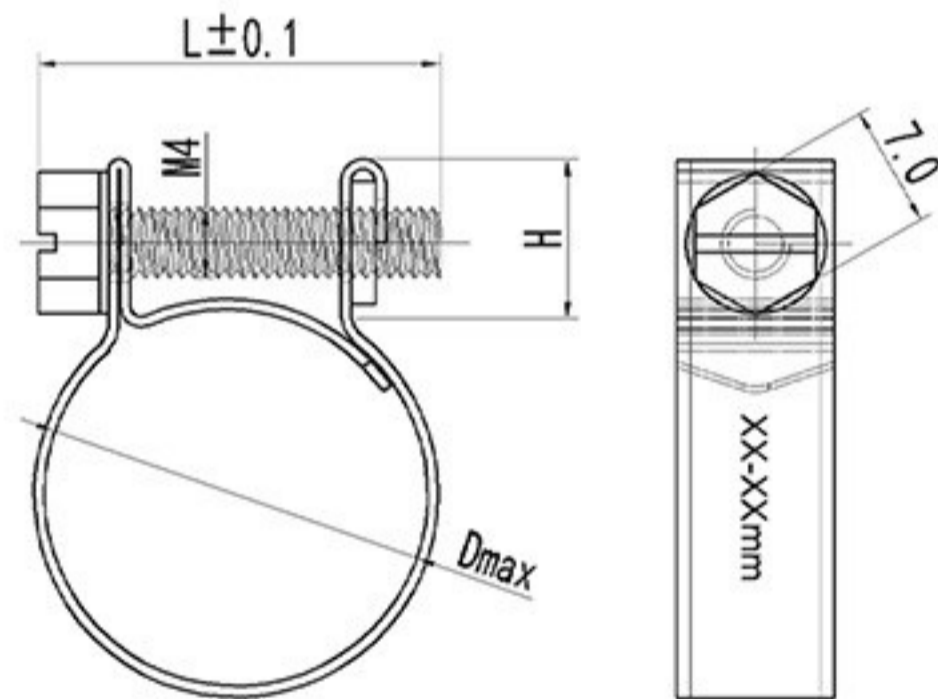
Excellent clamping force

### Application:

For small thin wall hoses

**Materials:** W1, W2, W4, W5

**Bandwidths:** 9mm



Specifications & ordering information											
Width (mm)	Designation	Clamping ranges		L (mm)	H (mm)	S (mm)	S(W1) (mm)	Product No.			
		D (mm)	D (in)					W1	W2	W4	W5
9	RSM Mini 7-9 /9	7-9	1/4-3/8	19	8	0.6	0.65	0678 101 009	0678 201 009	0678 401 009	0678 501 009
	RSM Mini 8-10 /9	8-10	5/16-3/8	19	8	0.6	0.65	0678 101 010	0678 201 010	0678 401 010	0678 501 010
	RSM Mini 9-11 /9	9-11	3/8-7/16	19	8	0.6	0.65	0678 101 011	0678 201 011	0678 401 011	0678 501 011
	RSM Mini 10-12 /9	10-12	3/8-1/2	19	8	0.6	0.65	0678 101 012	0678 201 012	0678 401 012	0678 501 012
	RSM Mini 11-13 /9	11-13	7/16-1/2	23	8	0.6	0.65	0678 101 013	0678 201 013	0678 401 013	0678 501 013
	RSM Mini 12-14 /9	12-14	1/2-9/16	23	8	0.6	0.65	0678 101 014	0678 201 014	0678 401 014	0678 501 014
	RSM Mini 13-15 /9	13-15	1/2-9/16	23	8	0.6	0.65	0678 101 015	0678 201 015	0678 401 015	0678 501 015
	RSM Mini 14-16 /9	14-16	9/16-5/8	23	8	0.6	0.65	0678 101 016	0678 201 016	0678 401 016	0678 501 016
	RSM Mini 15-17 /9	15-17	9/16-11/16	23	8	0.6	0.65	0678 101 017	0678 201 017	0678 401 017	0678 501 017
	RSM Mini 16-18 /9	16-18	5/8-11/16	23	8	0.6	0.65	0678 101 018	0678 201 018	0678 401 018	0678 501 018
	RSM Mini 17-19 /9	17-19	11/16-3/4	23	8	0.6	0.65	0678 101 019	0678 201 019	0678 401 019	0678 501 019
	RSM Mini 18-20 /9	18-20	11/16-13/16	23	8	0.6	0.65	0678 101 020	0678 201 020	0678 401 020	0678 501 020
	RSM Mini 19-21 /9	19-21	3/4-13/16	25	8	0.6	0.65	0678 101 021	0678 201 021	0678 401 021	0678 501 021
	RSM Mini 20-22 /9	20-22	13/16-7/8	25	8	0.6	0.65	0678 101 022	0678 201 022	0678 401 022	0678 501 022
	RSM Mini 21-23 /9	21-23	13/16-15/16	25	8	0.6	0.65	0678 101 023	0678 201 023	0678 401 023	0678 501 023
	RSM Mini 22-24 /9	22-24	7/8-15/16	25	8	0.6	0.65	0678 101 024	0678 201 024	0678 401 024	0678 501 024
	RSM Mini 23-25 /9	23-25	15/16-1	25	8	0.6	0.65	0678 101 025	0678 201 025	0678 401 025	0678 501 025
	RSM Mini 24-26 /9	24-26	15/16-1	25	8	0.6	0.65	0678 101 026	0678 201 026	0678 401 026	0678 501 026
	RSM Mini 25-27 /9	25-27	1-1 1/16	25	8	0.6	0.65	0678 101 027	0678 201 027	0678 401 027	0678 501 027
	RSM Mini 26-28 /9	26-28	1-1 1/8	25	8	0.6	0.65	0678 101 028	0678 201 028	0678 401 028	0678 501 028
RSM Mini 27-29 /9	27-29	1 1/16-1 1/8	25	8	0.6	0.65	0678 101 029	0678 201 029	0678 401 029	0678 501 029	
RSM Mini 28-30 /9	28-30	1 1/8-1 3/16	25	8	0.6	0.65	0678 101 030	0678 201 030	0678 401 030	0678 501 030	
RSM Mini 29-31 /9	29-31	1 1/8-1 1/4	28	10	0.6	0.65	0678 101 031	0678 201 031	0678 401 031	0678 501 031	
RSM Mini 30-32 /9	30-32	1 3/16-1 1/4	28	10	0.6	0.65	0678 101 032	0678 201 032	0678 401 032	0678 501 032	
RSM Mini 31-33 /9	31-33	1 1/4-1 5/16	28	10	0.6	0.65	0678 101 033	0678 201 033	0678 401 033	0678 501 033	
RSM Mini 32-34 /9	32-34	1 1/4-1 5/16	28	10	0.6	0.65	0678 101 034	0678 201 034	0678 401 034	0678 501 034	



## P Type Hose Clamp With Rubber

P Type Hose Clamps with Rubber are ideal for securing hard pipes, cables, protective cables, hoses, and other applications.

### Advantages:

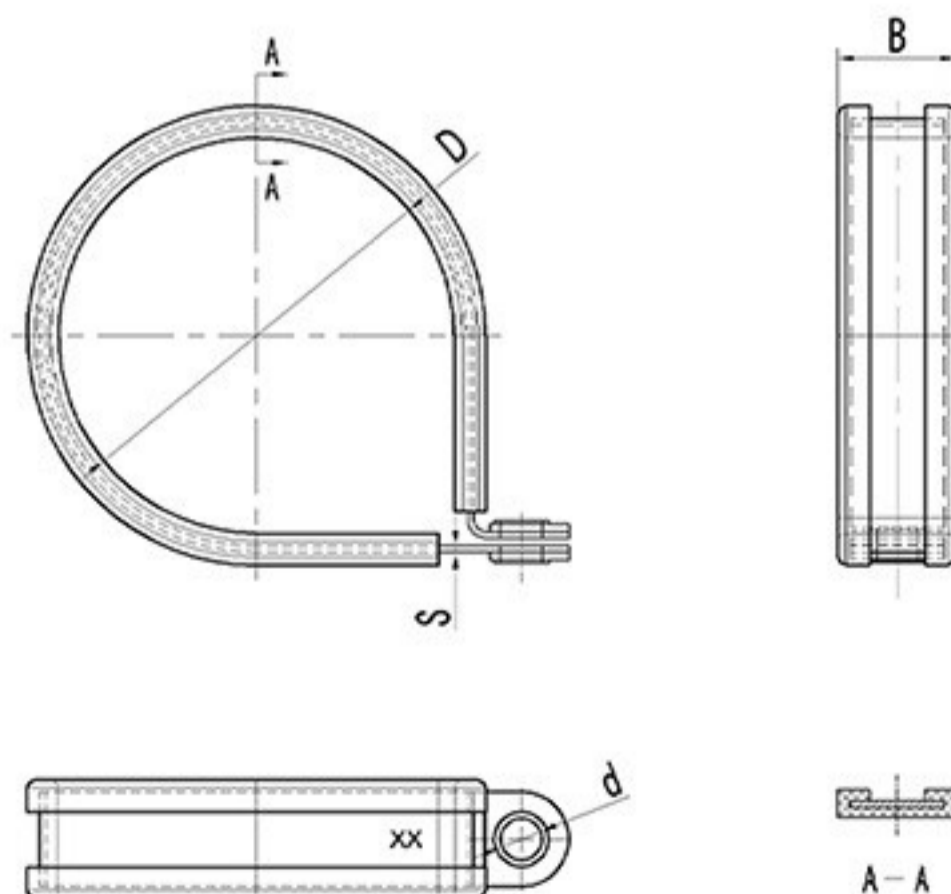
- Simple installation
- Can tighten the fastening object tighter
- Reduce vibration and prevent water penetration
- Provides good insulation effect

### Applications:

Machinery manufacturing, railway industry, white appliances, agricultural machinery, chemical industry, construction machinery, irrigation systems, engine manufacturing, shipbuilding, pumps and filters, food and beverage industry, mining.

**Materials:** W1, W4, W5

**Bandwidths:** 12mm, 15mm, 20mm



Specifications & ordering information										
Width (mm)	Designation	Clamping ranges		B (mm)	d (mm)	S (mm)	S(W1) (mm)	Product No.		
		D (mm)	D (in)					W1	W4	W5
12	RSM PR 4/12	4	3/16	15.0	M5	0.6	0.8	0677 101 004	0677 401 004	0677 501 004
	RSM PR 5/12	5	3/16	15.0	M5	0.6	0.8	0677 101 005	0677 401 005	0677 501 005
	RSM PR 6/12	6	1/4	15.0	M5	0.6	0.8	0677 101 006	0677 401 006	0677 501 006
	RSM PR 8/12	8	5/16	15.0	M5	0.6	0.8	0677 101 008	0677 401 008	0677 501 008
	RSM PR 10/12	10	3/8	15.0	M5	0.6	0.8	0677 101 010	0677 401 010	0677 501 010
	RSM PR 12/12	12	1/2	15.0	M5	0.6	0.8	0677 101 012	0677 401 012	0677 501 012
	RSM PR 14/12	14	9/16	15.0	M5	0.6	0.8	0677 101 014	0677 401 014	0677 501 014
	RSM PR 16/12	16	5/8	15.0	M5	0.6	0.8	0677 101 016	0677 401 016	0677 501 016
	RSM PR 18/12	18	11/16	15.0	M5	0.6	0.8	0677 101 018	0677 401 018	0677 501 018
	RSM PR 20/12	20	13/16	15.0	M5	0.6	0.8	0677 101 020	0677 401 020	0677 501 020
	RSM PR 22/12	22	7/8	15.0	M5	0.6	0.8	0677 101 022	0677 401 022	0677 501 022
	RSM PR 24/12	24	15/16	15.0	M5	0.6	0.8	0677 101 024	0677 401 024	0677 501 024
	RSM PR 26/12	26	1	15.0	M5	0.6	0.8	0677 101 026	0677 401 026	0677 501 026
	RSM PR 28/12	28	1 1/8	15.0	M5	0.6	0.8	0677 101 028	0677 401 028	0677 501 028
RSM PR 30/12	30	1 3/16	15.0	M5	0.6	0.8	0677 101 030	0677 401 030	0677 501 030	
15	RSM PR 6/15	6	1/4	19.0	M6	0.6	0.8	0677 102 006	0677 402 006	0677 502 006
	RSM PR 8/15	8	5/16	19.0	M6	0.6	0.8	0677 102 008	0677 402 008	0677 502 008
	RSM PR 10/15	10	3/8	19.0	M6	0.6	0.8	0677 102 010	0677 402 010	0677 502 010
	RSM PR 12/15	12	1/2	19.0	M6	0.6	0.8	0677 102 012	0677 402 012	0677 502 012
	RSM PR 14/15	14	9/16	19.0	M6	0.6	0.8	0677 102 014	0677 402 014	0677 502 014
	RSM PR 16/15	16	5/8	19.0	M6	0.6	0.8	0677 102 016	0677 402 016	0677 502 016
	RSM PR 18/15	18	11/16	19.0	M6	0.6	0.8	0677 102 018	0677 402 018	0677 502 018
	RSM PR 20/15	20	13/16	19.0	M6	0.6	0.8	0677 102 020	0677 402 020	0677 502 020
	RSM PR 22/15	22	7/8	19.0	M6	0.6	0.8	0677 102 022	0677 402 022	0677 502 022
	RSM PR 24/15	24	15/16	19.0	M6	0.6	0.8	0677 102 024	0677 402 024	0677 502 024
	RSM PR 26/15	26	1	19.0	M6	0.6	0.8	0677 102 026	0677 402 026	0677 502 026
	RSM PR 28/15	28	1 1/8	19.0	M6	0.6	0.8	0677 102 028	0677 402 028	0677 502 028
	RSM PR 30/15	30	1 3/16	19.0	M6	0.6	0.8	0677 102 030	0677 402 030	0677 502 030
	RSM PR 32/15	32	1 1/4	19.0	M6	0.6	0.8	0677 102 032	0677 402 032	0677 502 032
	RSM PR 34/15	34	1 3/8	19.0	M6	0.6	0.8	0677 102 034	0677 402 034	0677 502 034
	RSM PR 36/15	36	1 7/16	19.0	M6	0.6	0.8	0677 102 036	0677 402 036	0677 502 036
RSM PR 38/15	38	1 1/2	19.0	M6	0.6	0.8	0677 102 038	0677 402 038	0677 502 038	
RSM PR 40/15	40	1 9/16	19.0	M6	0.6	0.8	0677 102 040	0677 402 040	0677 502 040	
20	RSM PR 10/20	10	3/8	24.5	M8	0.6	0.8	0677 103 010	0677 403 010	0677 503 010
	RSM PR 12/20	12	1/2	24.5	M8	0.6	0.8	0677 103 012	0677 403 012	0677 503 012
	RSM PR 14/20	14	9/16	24.5	M8	0.6	0.8	0677 103 014	0677 403 014	0677 503 014
	RSM PR 16/20	16	5/8	24.5	M8	0.6	0.8	0677 103 016	0677 403 016	0677 503 016
	RSM PR 18/20	18	11/16	24.5	M8	0.6	0.8	0677 103 018	0677 403 018	0677 503 018
	RSM PR 20/20	20	13/16	24.5	M8	0.6	0.8	0677 103 020	0677 403 020	0677 503 020
	RSM PR 22/20	22	7/8	24.5	M8	0.6	0.8	0677 103 022	0677 403 022	0677 503 022
	RSM PR 24/20	24	15/16	24.5	M8	0.6	0.8	0677 103 024	0677 403 024	0677 503 024
	RSM PR 26/20	26	1	24.5	M8	0.6	0.8	0677 103 026	0677 403 026	0677 503 026
	RSM PR 28/20	28	1 1/8	24.5	M8	0.6	0.8	0677 103 028	0677 403 028	0677 503 028
	RSM PR 30/20	30	1 3/16	24.5	M8	0.6	0.8	0677 103 030	0677 403 030	0677 503 030
	RSM PR 32/20	32	1 1/4	24.5	M8	0.6	0.8	0677 103 032	0677 403 032	0677 503 032
	RSM PR 34/20	34	1 3/8	24.5	M8	0.6	0.8	0677 103 034	0677 403 034	0677 503 034
	RSM PR 36/20	36	1 7/16	24.5	M8	0.6	0.8	0677 103 036	0677 403 036	0677 503 036
	RSM PR 38/20	38	1 1/2	24.5	M8	0.6	0.8	0677 103 038	0677 403 038	0677 503 038
	RSM PR 40/20	40	1 9/16	24.5	M8	0.6	0.8	0677 103 040	0677 403 040	0677 503 040
	RSM PR 42/20	42	1 5/8	24.5	M8	0.6	0.8	0677 103 042	0677 403 042	0677 503 042
	RSM PR 44/20	44	1 3/4	24.5	M8	0.6	0.8	0677 103 044	0677 403 044	0677 503 044
RSM PR 46/20	46	1 13/16	24.5	M8	0.6	0.8	0677 103 046	0677 403 046	0677 503 046	
RSM PR 48/20	48	1 7/8	24.5	M8	0.6	0.8	0677 103 048	0677 403 048	0677 503 048	
RSM PR 50/20	50	2	24.5	M8	0.6	0.8	0677 103 050	0677 403 050	0677 503 050	

## Germany type bridge hose clamp

Leakage is effectively prevented by the fastening of special bypass structure, and the unique side pressure design and non-porous design can effectively prevent the damage of the soft surface of the silicone tube and hose. Suitable for connecting parts of threaded plastic or metal pipes and thick rubber pipes.

Both left and right bridge configurations are available



### Advantages:

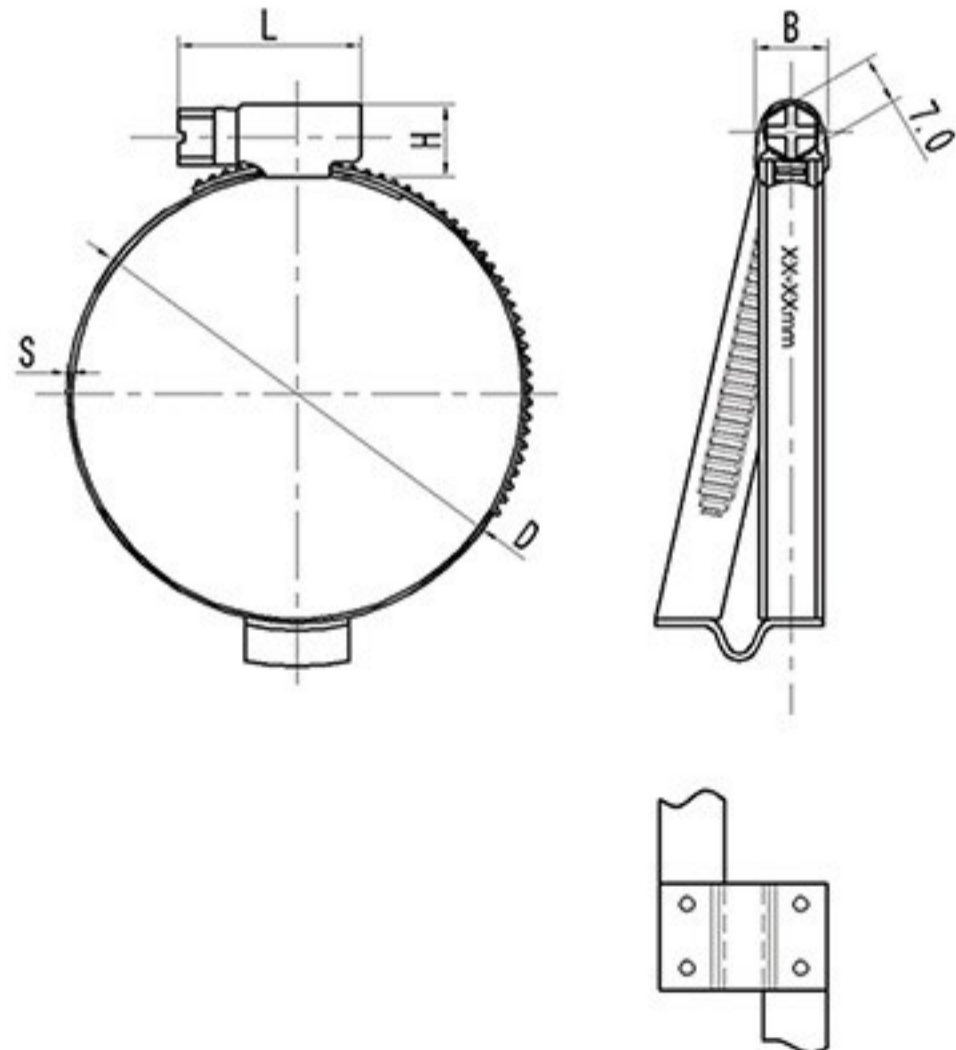
Simple structure, good sealing, strong tight force, easy and fast installation, reusable

### Applications:

Heating and cooling, ventilation, smoke and fume extraction, vacuum cleaning and handling of bulk packaging materials.

**Materials:** W2, W3, W4, W5

**Bandwidths:** 9mm, 12mm



Specifications & ordering information											
Width (mm)	Designation	Suitable hose inside diameter	Clamping ranges	L (mm)	B (mm)	H (mm)	S (mm)	Product No.			
		D" (mm)	D (mm)					W2	W3	W4	W5
9	RSM GT-B 22-37/9	25-29	22-37	25.0	11.5	10.5	0.6	0676 201 037	0676 301 037	0676 401 037	0676 501 037
	RSM GT-B 27-47/9	30-35	27-47	25.0	11.5	10.5	0.6	0676 201 047	0676 301 047	0676 401 047	0676 501 047
	RSM GT-B 35-55/9	38-44	35-55	25.0	11.5	10.5	0.6	0676 201 055	0676 301 055	0676 401 055	0676 501 055
	RSM GT-B 40-60/9	45-50	40-60	25.0	11.5	10.5	0.6	0676 201 060	0676 301 060	0676 401 060	0676 501 060
	RSM GT-B 45-65/9	50-55	45-65	25.0	11.5	10.5	0.6	0676 201 065	0676 301 065	0676 401 065	0676 501 065
	RSM GT-B 55-75/9	60-65	55-75	25.0	11.5	10.5	0.6	0676 201 075	0676 301 075	0676 401 075	0676 501 075
	RSM GT-B 65-85/9	70-75	65-85	25.0	11.5	10.5	0.6	0676 201 085	0676 301 085	0676 401 085	0676 501 085
	RSM GT-B 75-95/9	80-85	75-95	25.0	11.5	10.5	0.6	0676 201 095	0676 301 095	0676 401 095	0676 501 095
	RSM GT-B 85-105/9	90-95	85-105	25.0	11.5	10.5	0.6	0676 201 105	0676 301 105	0676 401 105	0676 501 105
	RSM GT-B 95-115/9	100-105	95-115	25.0	11.5	10.5	0.6	0676 201 115	0676 301 115	0676 401 115	0676 501 115
	RSM GT-B 105-125/9	110-115	105-125	25.0	11.5	10.5	0.6	0676 201 125	0676 301 125	0676 401 125	0676 501 125
	RSM GT-B 115-135/9	120-125	115-135	25.0	11.5	10.5	0.6	0676 201 135	0676 301 135	0676 401 135	0676 501 135
	RSM GT-B 125-145/9	130-135	125-145	25.0	11.5	10.5	0.6	0676 201 145	0676 301 145	0676 401 145	0676 501 145
	RSM GT-B 135-155/9	140-145	135-155	25.0	11.5	10.5	0.6	0676 201 155	0676 301 155	0676 401 155	0676 501 155
	RSM GT-B 145-165/9	150-155	145-165	25.0	11.5	10.5	0.6	0676 201 165	0676 301 165	0676 401 165	0676 501 165
	RSM GT-B 155-175/9	160-165	155-175	25.0	11.5	10.5	0.6	0676 201 175	0676 301 175	0676 401 175	0676 501 175
	RSM GT-B 165-185/9	170-175	165-185	25.0	11.5	10.5	0.6	0676 201 185	0676 301 185	0676 401 185	0676 501 185
	RSM GT-B 175-195/9	180-185	175-195	25.0	11.5	10.5	0.6	0676 201 195	0676 301 195	0676 401 195	0676 501 195
RSM GT-B 185-205/9	190-195	185-205	25.0	11.5	10.5	0.6	0676 201 205	0676 301 205	0676 401 205	0676 501 205	
RSM GT-B 195-215/9	200-205	195-215	25.0	11.5	10.5	0.6	0676 201 215	0676 301 215	0676 401 215	0676 501 215	
12	RSM GT-B 205-225/12	210-215	205-225	25.0	14.5	10.6	0.6	0676 202 225	0676 302 225	0676 402 225	0676 502 225
	RSM GT-B 215-235/12	220-225	215-235	25.0	14.5	10.6	0.6	0676 202 235	0676 302 235	0676 402 235	0676 502 235
	RSM GT-B 225-245/12	230-235	225-245	25.0	14.5	10.6	0.6	0676 202 245	0676 302 245	0676 402 245	0676 502 245
	RSM GT-B 235-255/12	240-245	235-255	25.0	14.5	10.6	0.6	0676 202 255	0676 302 255	0676 402 255	0676 502 255
	RSM GT-B 245-265/12	250-255	245-265	25.0	14.5	10.6	0.6	0676 202 265	0676 302 265	0676 402 265	0676 502 265
	RSM GT-B 255-275/12	260-265	255-275	25.0	14.5	10.6	0.6	0676 202 275	0676 302 275	0676 402 275	0676 502 275
	RSM GT-B 265-285/12	270-275	265-285	25.0	14.5	10.6	0.6	0676 202 285	0676 302 285	0676 402 285	0676 502 285
	RSM GT-B 275-295/12	280-285	275-295	25.0	14.5	10.6	0.6	0676 202 295	0676 302 295	0676 402 295	0676 502 295
	RSM GT-B 285-305/12	290-295	285-305	25.0	14.5	10.6	0.6	0676 202 305	0676 302 305	0676 402 305	0676 502 305
	RSM GT-B 295-315/12	300-305	295-315	25.0	14.5	10.6	0.6	0676 202 315	0676 302 315	0676 402 315	0676 502 315
	RSM GT-B 305-325/12	310-315	305-325	25.0	14.5	10.6	0.6	0676 202 325	0676 302 325	0676 402 325	0676 502 325
	RSM GT-B 315-335/12	320-325	315-335	25.0	14.5	10.6	0.6	0676 202 335	0676 302 335	0676 402 335	0676 502 335
	RSM GT-B 325-345/12	330-335	325-345	25.0	14.5	10.6	0.6	0676 202 345	0676 302 345	0676 402 345	0676 502 345
	RSM GT-B 335-355/12	340-345	335-355	25.0	14.5	10.6	0.6	0676 202 355	0676 302 355	0676 402 355	0676 502 355
	RSM GT-B 345-365/12	350-355	345-365	25.0	14.5	10.6	0.6	0676 202 365	0676 302 365	0676 402 365	0676 502 365
	RSM GT-B 355-375/12	360-365	355-375	25.0	14.5	10.6	0.6	0676 202 375	0676 302 375	0676 402 375	0676 502 375
	RSM GT-B 365-385/12	370-375	365-385	25.0	14.5	10.6	0.6	0676 202 385	0676 302 385	0676 402 385	0676 502 385
	RSM GT-B 375-395/12	380-385	375-395	25.0	14.5	10.6	0.6	0676 202 395	0676 302 395	0676 402 395	0676 502 395
	RSM GT-B 385-405/12	390-395	385-405	25.0	14.5	10.6	0.6	0676 202 405	0676 302 405	0676 402 405	0676 502 405
	RSM GT-B 395-415/12	400-405	395-415	25.0	14.5	10.6	0.6	0676 202 415	0676 302 415	0676 402 415	0676 502 415
RSM GT-B 405-425/12	410-415	405-425	25.0	14.5	10.6	0.6	0676 202 425	0676 302 425	0676 402 425	0676 502 425	
RSM GT-B 425-445/12	430-435	425-445	25.0	14.5	10.6	0.6	0676 202 445	0676 302 445	0676 402 445	0676 502 445	
RSM GT-B 445-465/12	450-455	445-465	25.0	14.5	10.6	0.6	0676 202 465	0676 302 465	0676 402 465	0676 502 465	
RSM GT-B 465-485/12	470-475	465-485	25.0	14.5	10.6	0.6	0676 202 485	0676 302 485	0676 402 485	0676 502 485	
RSM GT-B 480-500/12	485-490	480-500	25.0	14.5	10.6	0.6	0676 202 500	0676 302 500	0676 402 500	0676 502 500	



## American type bridge hose clamp

Leakage is effectively prevented by the fastening of special bypass structure with through hole and screw teeth. The locking force is stronger and the bite is accurate. Suitable for connecting parts of threaded plastic or metal pipes and thick rubber pipes. Also, they can be used for non-circular objects, such as a flue, an electric car battery, etc.

Both left and right bridge configurations are available.

### Advantages:

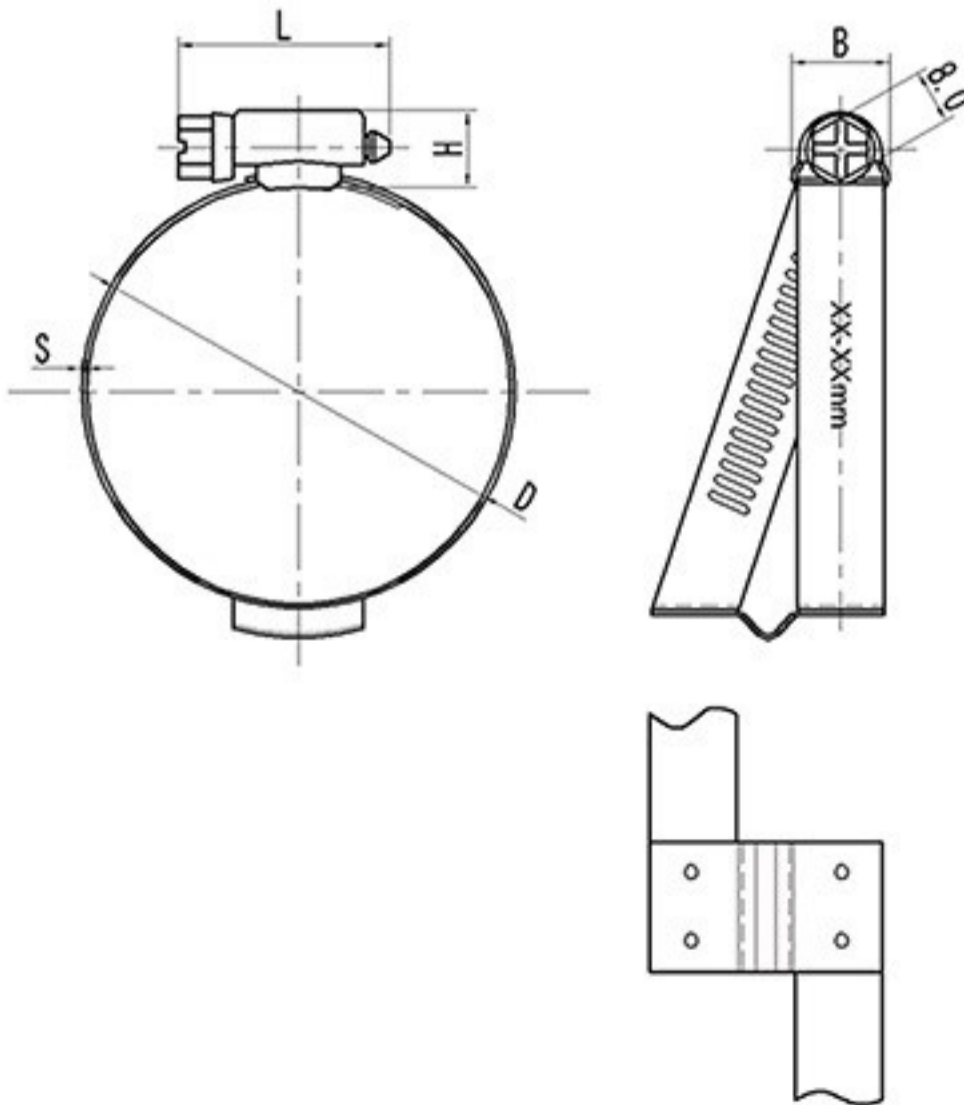
Simple structure, good sealing, strong tight force, easy and fast installation, reusable

### Applications:

Heating and cooling, ventilation, smoke and fume extraction, vacuum cleaning and handling of bulk packaging materials.

**Materials:** W2, W3, W4, W5

**Bandwidths:** 12.7mm, 14.2mm



### Specifications & ordering information

Width (mm)	Designation	Suitable hose inside diameter D" (mm)	Clamping ranges D (mm)	L (mm)	B (mm)	H (mm)	S (mm)	Product No.			
								W2	W3	W4	W5
12.7	RSM AT-B 22-37/12.7	25-29	22-37	32.0	15.5	11.3	0.65	0675 201 037	0675 301 037	0675 401 037	0675 501 037
	RSM AT-B 27-47/12.7	30-35	27-47	32.0	15.5	11.3	0.65	0675 201 047	0675 301 047	0675 401 047	0675 501 047
	RSM AT-B 35-55/12.7	38-44	35-55	32.0	15.5	11.3	0.65	0675 201 055	0675 301 055	0675 401 055	0675 501 055
	RSM AT-B 40-60/12.7	45-50	40-60	32.0	15.5	11.3	0.65	0675 201 060	0675 301 060	0675 401 060	0675 501 060
	RSM AT-B 45-65/12.7	50-55	45-65	32.0	15.5	11.3	0.65	0675 201 065	0675 301 065	0675 401 065	0675 501 065
	RSM AT-B 55-75/12.7	60-65	55-75	32.0	15.5	11.3	0.65	0675 201 075	0675 301 075	0675 401 075	0675 501 075
	RSM AT-B 65-85/12.7	70-75	65-85	32.0	15.5	11.3	0.65	0675 201 085	0675 301 085	0675 401 085	0675 501 085
	RSM AT-B 75-95/12.7	80-85	75-95	32.0	15.5	11.3	0.65	0675 201 095	0675 301 095	0675 401 095	0675 501 095
	RSM AT-B 85-105/12.7	90-95	85-105	32.0	15.5	11.3	0.65	0675 201 105	0675 301 105	0675 401 105	0675 501 105
	RSM AT-B 95-115/12.7	100-105	95-115	32.0	15.5	11.3	0.65	0675 201 115	0675 301 115	0675 401 115	0675 501 115
	RSM AT-B 105-125/12.7	110-115	105-125	32.0	15.5	11.3	0.65	0675 201 125	0675 301 125	0675 401 125	0675 501 125
	RSM AT-B 115-135/12.7	120-125	115-135	32.0	15.5	11.3	0.65	0675 201 135	0675 301 135	0675 401 135	0675 501 135
	RSM AT-B 125-145/12.7	130-135	125-145	32.0	15.5	11.3	0.65	0675 201 145	0675 301 145	0675 401 145	0675 501 145
	RSM AT-B 135-155/12.7	140-145	135-155	32.0	15.5	11.3	0.65	0675 201 155	0675 301 155	0675 401 155	0675 501 155
	RSM AT-B 145-165/12.7	150-155	145-165	32.0	15.5	11.3	0.65	0675 201 165	0675 301 165	0675 401 165	0675 501 165
	RSM AT-B 155-175/12.7	160-165	155-175	32.0	15.5	11.3	0.65	0675 201 175	0675 301 175	0675 401 175	0675 501 175
	RSM AT-B 165-185/12.7	170-175	165-185	32.0	15.5	11.3	0.65	0675 201 185	0675 301 185	0675 401 185	0675 501 185
RSM AT-B 175-195/12.7	180-185	175-195	32.0	15.5	11.3	0.65	0675 201 195	0675 301 195	0675 401 195	0675 501 195	
RSM AT-B 185-205/12.7	190-195	185-205	32.0	15.5	11.3	0.65	0675 201 205	0675 301 205	0675 401 205	0675 501 205	
RSM AT-B 195-215/12.7	200-205	195-215	32.0	15.5	11.3	0.65	0675 201 215	0675 301 215	0675 401 215	0675 501 215	
14.2	RSM AT-B 205-225/14.2	210-215	205-225	32.0	17.0	11.5	0.65	0675 202 225	0675 302 225	0675 402 225	0675 502 225
	RSM AT-B 215-235/14.2	220-225	215-235	32.0	17.0	11.5	0.65	0675 202 235	0675 302 235	0675 402 235	0675 502 235
	RSM AT-B 225-245/14.2	230-235	225-245	32.0	17.0	11.5	0.65	0675 202 245	0675 302 245	0675 402 245	0675 502 245
	RSM AT-B 235-255/14.2	240-245	235-255	32.0	17.0	11.5	0.65	0675 202 255	0675 302 255	0675 402 255	0675 502 255
	RSM AT-B 245-265/14.2	250-255	245-265	32.0	17.0	11.5	0.65	0675 202 265	0675 302 265	0675 402 265	0675 502 265
	RSM AT-B 255-275/14.2	260-265	255-275	32.0	17.0	11.5	0.65	0675 202 275	0675 302 275	0675 402 275	0675 502 275
	RSM AT-B 265-285/14.2	270-275	265-285	32.0	17.0	11.5	0.65	0675 202 285	0675 302 285	0675 402 285	0675 502 285
	RSM AT-B 275-295/14.2	280-285	275-295	32.0	17.0	11.5	0.65	0675 202 295	0675 302 295	0675 402 295	0675 502 295
	RSM AT-B 285-305/14.2	290-295	285-305	32.0	17.0	11.5	0.65	0675 202 305	0675 302 305	0675 402 305	0675 502 305
	RSM AT-B 295-315/14.2	300-305	295-315	32.0	17.0	11.5	0.65	0675 202 315	0675 302 315	0675 402 315	0675 502 315
	RSM AT-B 305-325/14.2	310-315	305-325	32.0	17.0	11.5	0.65	0675 202 325	0675 302 325	0675 402 325	0675 502 325
	RSM AT-B 315-335/14.2	320-325	315-335	32.0	17.0	11.5	0.65	0675 202 335	0675 302 335	0675 402 335	0675 502 335
	RSM AT-B 325-345/14.2	330-335	325-345	32.0	17.0	11.5	0.65	0675 202 345	0675 302 345	0675 402 345	0675 502 345
	RSM AT-B 335-355/14.2	340-345	335-355	32.0	17.0	11.5	0.65	0675 202 355	0675 302 355	0675 402 355	0675 502 355
	RSM AT-B 345-365/14.2	350-355	345-365	32.0	17.0	11.5	0.65	0675 202 365	0675 302 365	0675 402 365	0675 502 365
	RSM AT-B 355-375/14.2	360-365	355-375	32.0	17.0	11.5	0.65	0675 202 375	0675 302 375	0675 402 375	0675 502 375
	RSM AT-B 365-385/14.2	370-375	365-385	32.0	17.0	11.5	0.65	0675 202 385	0675 302 385	0675 402 385	0675 502 385
	RSM AT-B 375-395/14.2	380-385	375-395	32.0	17.0	11.5	0.65	0675 202 395	0675 302 395	0675 402 395	0675 502 395
	RSM AT-B 385-405/14.2	390-395	385-405	32.0	17.0	11.5	0.65	0675 202 405	0675 302 405	0675 402 405	0675 502 405
	RSM AT-B 395-415/14.2	400-405	395-415	32.0	17.0	11.5	0.65	0675 202 415	0675 302 415	0675 402 415	0675 502 415
RSM AT-B 405-425/14.2	410-415	405-425	32.0	17.0	11.5	0.65	0675 202 425	0675 302 425	0675 402 425	0675 502 425	
RSM AT-B 425-445/14.2	430-435	425-445	32.0	17.0	11.5	0.65	0675 202 445	0675 302 445	0675 402 445	0675 502 445	
RSM AT-B 445-465/14.2	450-455	445-465	32.0	17.0	11.5	0.65	0675 202 465	0675 302 465	0675 402 465	0675 502 465	
RSM AT-B 465-485/14.2	470-475	465-485	32.0	17.0	11.5	0.65	0675 202 485	0675 302 485	0675 402 485	0675 502 485	
RSM AT-B 480-500/14.2	485-490	480-500	32.0	17.0	11.5	0.65	0675 202 500	0675 302 500	0675 402 500	0675 502 500	





## Germany quick release clamp

Very fast installation is possible. Stamping the steel belt without holes can bring strong and continuous fastening force to the clamp. The steel belt's flanging design can protect the hose, eliminate the hidden danger of leakage, and increase the torque, which can meet the urgent needs and make the work efficient. Mainly used for quick conversion, such as duct seal, dust channel interface.

### Advantages:

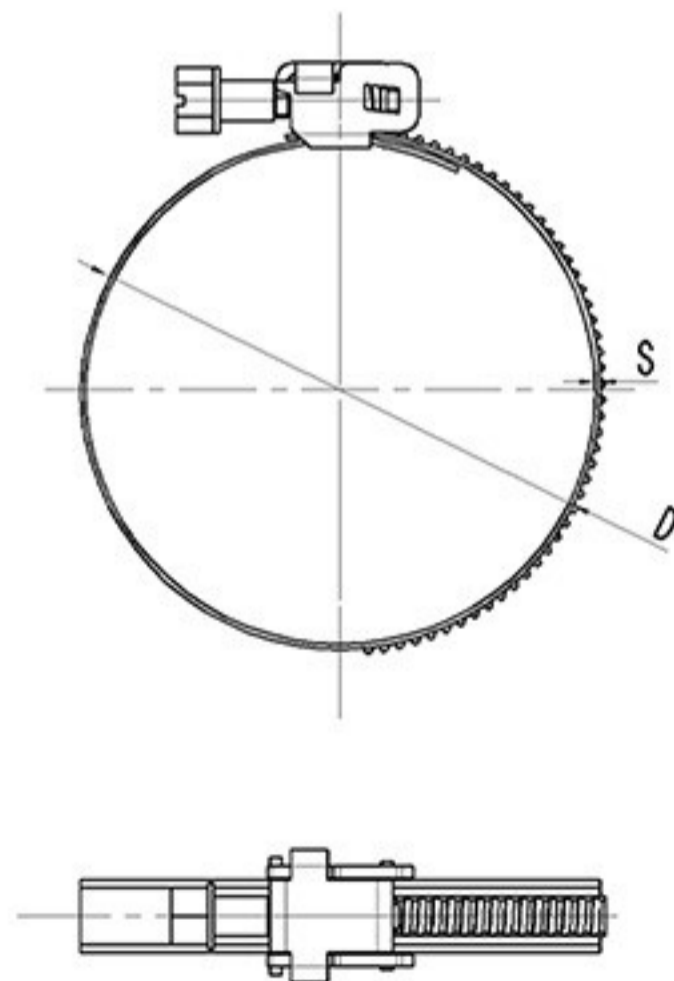
- Simple and quick application
- Secure connection with hose
- Flexibility
- Wide clamping range

### Applications:

- Water industry, Air conditioning,
- Construction, Health

**Materials:** W3, W4, W5

**Bandwidths:** 9mm, 12mm



Specifications & ordering information							
Width (mm)	Designation	Clamping ranges		S (mm)	Product No.		
		D (mm)	D (in)		W3	W4	W5
9	MCR GT-Q 25-70/9	25-70	1-2 6/8	0.6	0949 301 070	0949 401 070	0949 501 070
	MCR GT-Q 25-100/9	25-100	1-3 15/16	0.6	0949 301 100	0949 401 100	0949 501 100
	MCR GT-Q 25-125/9	25-125	1-4 15/16	0.6	0949 301 125	0949 401 125	0949 501 125
	MCR GT-Q 25-150/9	25-150	1-5 7/8	0.6	0949 301 150	0949 401 150	0949 501 150
	MCR GT-Q 25-175/9	25-175	1-6 7/8	0.6	0949 301 175	0949 401 175	0949 501 175
	MCR GT-Q 25-200/9	25-200	1-7 7/8	0.6	0949 301 200	0949 401 200	0949 501 200
	MCR GT-Q 25-225/9	25-225	1-8 7/8	0.6	0949 301 225	0949 401 225	0949 501 225
	MCR GT-Q 25-250/9	25-250	1-9 13/16	0.6	0949 301 250	0949 401 250	0949 501 250
	MCR GT-Q 25-275/9	25-275	1-10 13/16	0.6	0949 301 275	0949 401 275	0949 501 275
	MCR GT-Q 25-300/9	25-300	1-11 13/16	0.6	0949 301 300	0949 401 300	0949 501 300
	MCR GT-Q 25-350/9	25-350	1-13 3/4	0.6	0949 301 350	0949 401 350	0949 501 350
	MCR GT-Q 25-400/9	25-400	1-15 3/4	0.6	0949 301 400	0949 401 400	0949 501 400
	MCR GT-Q 25-450/9	25-450	1-17 11/16	0.6	0949 301 450	0949 401 450	0949 501 450
	MCR GT-Q 25-500/9	25-500	1-19 11/16	0.6	0949 301 500	0949 401 500	0949 501 500
	MCR GT-Q 25-550/9	25-550	1-21 5/8	0.6	0949 301 550	0949 401 550	0949 501 550
	MCR GT-Q 25-600/9	25-600	1-23 5/8	0.6	0949 301 600	0949 401 600	0949 501 600
	MCR GT-Q 25-650/9	25-650	1-25 9/16	0.6	0949 301 650	0949 401 650	0949 501 650
	MCR GT-Q 25-700/9	25-700	1-27 9/16	0.6	0949 301 700	0949 401 700	0949 501 700
MCR GT-Q 25-750/9	25-750	1-29 1/2	0.6	0949 301 750	0949 401 750	0949 501 750	
12	MCR GT-Q 25-70/12	25-70	1-2 6/8	0.6	0949 302 070	0949 402 070	0949 502 070
	MCR GT-Q 25-100/12	25-100	1-3 15/16	0.6	0949 302 100	0949 402 100	0949 502 100
	MCR GT-Q 25-125/12	25-125	1-4 15/16	0.6	0949 302 125	0949 402 125	0949 502 125
	MCR GT-Q 25-150/12	25-150	1-5 7/8	0.6	0949 302 150	0949 402 150	0949 502 150
	MCR GT-Q 25-175/12	25-175	1-6 7/8	0.6	0949 302 175	0949 402 175	0949 502 175
	MCR GT-Q 25-200/12	25-200	1-7 7/8	0.6	0949 302 200	0949 402 200	0949 502 200
	MCR GT-Q 25-225/12	25-225	1-8 7/8	0.6	0949 302 225	0949 402 225	0949 502 225
	MCR GT-Q 25-250/12	25-250	1-9 13/16	0.6	0949 302 250	0949 402 250	0949 502 250
	MCR GT-Q 25-275/12	25-275	1-10 13/16	0.6	0949 302 275	0949 402 275	0949 502 275
	MCR GT-Q 25-300/12	25-300	1-11 13/16	0.6	0949 302 300	0949 402 300	0949 502 300
	MCR GT-Q 25-350/12	25-350	1-13 3/4	0.6	0949 302 350	0949 402 350	0949 502 350
	MCR GT-Q 25-400/12	25-400	1-15 3/4	0.6	0949 302 400	0949 402 400	0949 502 400
	MCR GT-Q 25-450/12	25-450	1-17 11/16	0.6	0949 302 450	0949 402 450	0949 502 450
	MCR GT-Q 25-500/12	25-500	1-19 11/16	0.6	0949 302 500	0949 402 500	0949 502 500
	MCR GT-Q 25-550/12	25-550	1-21 5/8	0.6	0949 302 550	0949 402 550	0949 502 550
	MCR GT-Q 25-600/12	25-600	1-23 5/8	0.6	0949 302 600	0949 402 600	0949 502 600
	MCR GT-Q 25-650/12	25-650	1-25 9/16	0.6	0949 302 650	0949 402 650	0949 502 650
	MCR GT-Q 25-700/12	25-700	1-27 9/16	0.6	0949 302 700	0949 402 700	0949 502 700
MCR GT-Q 25-750/12	25-750	1-29 1/2	0.6	0949 302 750	0949 402 750	0949 502 750	



## American quick release clamp

The flexible and perforated steel band is made of stainless steel. Good for closed systems that must be installed with the clamp open. Screw rotation lock makes the installation and removal of the clamp faster. Can be widely used in mild corrosion environment, cable binding, hanging light weight signs, etc.

### Advantages:

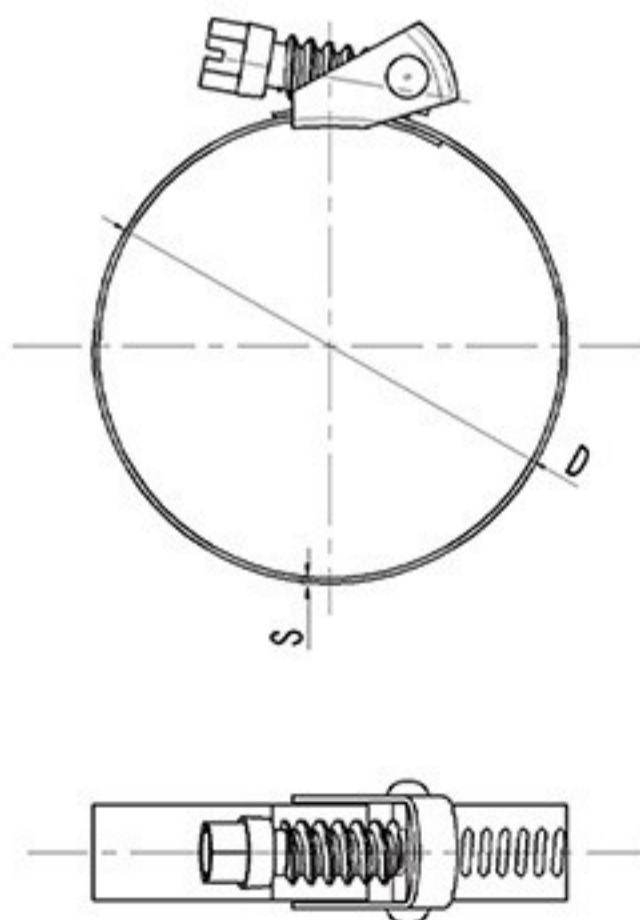
- Simple and quick application
- Secure connection with hose
- Flexibility
- Wide clamping range

### Applications:

Automobile, engineering machinery, lathe, machine, metallurgy and other fields.

**Materials:** W3, W4, W5

**Bandwidths:** 12.7mm, 14.2mm



Specifications & ordering information							
Width (mm)	Designation	Clamping ranges		S (mm)	Product No.		
		D (mm)	D (in)		W3	W4	W5
12.7	MCR AT-Q 25-70/12.7	25-70	1-2 6/8	0.65	0948 302 070	0948 402 070	0948 502 070
	MCR AT-Q 25-100/12.7	25-100	1-3 15/16	0.65	0948 302 100	0948 402 100	0948 502 100
	MCR AT-Q 25-125/12.7	25-125	1-4 15/16	0.65	0948 302 125	0948 402 125	0948 502 125
	MCR AT-Q 25-150/12.7	25-150	1-5 7/8	0.65	0948 302 150	0948 402 150	0948 502 150
	MCR AT-Q 25-175/12.7	25-175	1-6 7/8	0.65	0948 302 175	0948 402 175	0948 502 175
	MCR AT-Q 25-200/12.7	25-200	1-7 7/8	0.65	0948 302 200	0948 402 200	0948 502 200
	MCR AT-Q 25-225/12.7	25-225	1-8 7/8	0.65	0948 302 225	0948 402 225	0948 502 225
	MCR AT-Q 25-250/12.7	25-250	1-9 13/16	0.65	0948 302 250	0948 402 250	0948 502 250
	MCR AT-Q 25-275/12.7	25-275	1-10 13/16	0.65	0948 302 275	0948 402 275	0948 502 275
	MCR AT-Q 25-300/12.7	25-300	1-11 13/16	0.65	0948 302 300	0948 402 300	0948 502 300
	MCR AT-Q 25-350/12.7	25-350	1-13 3/4	0.65	0948 302 350	0948 402 350	0948 502 350
	MCR AT-Q 25-400/12.7	25-400	1-15 3/4	0.65	0948 302 400	0948 402 400	0948 502 400
	MCR AT-Q 25-450/12.7	25-450	1-17 11/16	0.65	0948 302 450	0948 402 450	0948 502 450
	MCR AT-Q 25-500/12.7	25-500	1-19 11/16	0.65	0948 302 500	0948 402 500	0948 502 500
	MCR AT-Q 25-550/12.7	25-550	1-21 5/8	0.65	0948 302 550	0948 402 550	0948 502 550
	MCR AT-Q 25-600/12.7	25-600	1-23 5/8	0.65	0948 302 600	0948 402 600	0948 502 600
	MCR AT-Q 25-650/12.7	25-650	1-25 9/16	0.65	0948 302 650	0948 402 650	0948 502 650
	MCR AT-Q 25-700/12.7	25-700	1-27 9/16	0.65	0948 302 700	0948 402 700	0948 502 700
	MCR AT-Q 25-750/12.7	25-750	1-29 1/2	0.65	0948 302 750	0948 402 750	0948 502 750
14.2	MCR AT-Q 25-70/14.2	25-70	1-2 6/8	0.65	0948 303 070	0948 403 070	0948 503 070
	MCR AT-Q 25-100/14.2	25-100	1-3 15/16	0.65	0948 303 100	0948 403 100	0948 503 100
	MCR AT-Q 25-125/14.2	25-125	1-4 15/16	0.65	0948 303 125	0948 403 125	0948 503 125
	MCR AT-Q 25-150/14.2	25-150	1-5 7/8	0.65	0948 303 150	0948 403 150	0948 503 150
	MCR AT-Q 25-175/14.2	25-175	1-6 7/8	0.65	0948 303 175	0948 403 175	0948 503 175
	MCR AT-Q 25-200/14.2	25-200	1-7 7/8	0.65	0948 303 200	0948 403 200	0948 503 200
	MCR AT-Q 25-225/14.2	25-225	1-8 7/8	0.65	0948 303 225	0948 403 225	0948 503 225
	MCR AT-Q 25-250/14.2	25-250	1-9 13/16	0.65	0948 303 250	0948 403 250	0948 503 250
	MCR AT-Q 25-275/14.2	25-275	1-10 13/16	0.65	0948 303 275	0948 403 275	0948 503 275
	MCR AT-Q 25-300/14.2	25-300	1-11 13/16	0.65	0948 303 300	0948 403 300	0948 503 300
	MCR AT-Q 25-350/14.2	25-350	1-13 3/4	0.65	0948 303 350	0948 403 350	0948 503 350
	MCR AT-Q 25-400/14.2	25-400	1-15 3/4	0.65	0948 303 400	0948 403 400	0948 503 400
	MCR AT-Q 25-450/14.2	25-450	1-17 11/16	0.65	0948 303 450	0948 403 450	0948 503 450
	MCR AT-Q 25-500/14.2	25-500	1-19 11/16	0.65	0948 303 500	0948 403 500	0948 503 500
	MCR AT-Q 25-550/14.2	25-550	1-21 5/8	0.65	0948 303 550	0948 403 550	0948 503 550
	MCR AT-Q 25-600/14.2	25-600	1-23 5/8	0.65	0948 303 600	0948 403 600	0948 503 600
	MCR AT-Q 25-650/14.2	25-650	1-25 9/16	0.65	0948 303 650	0948 403 650	0948 503 650
	MCR AT-Q 25-700/14.2	25-700	1-27 9/16	0.65	0948 303 700	0948 403 700	0948 503 700
	MCR AT-Q 25-750/14.2	25-750	1-29 1/2	0.65	0948 303 750	0948 403 750	0948 503 750

### Germany quick release clamp in roll



This clamp is mainly used for maintenance. The box is equipped with uninterrupted steel band and accessories, which can adapt to various shapes and sizes of objects. Just cut the corresponding length from the whole roll steel band according to the actual demand, you can install the clamp by yourself, and it can be used repeatedly.

**Advantages:**

- Wide range of fastening
- Flexible
- Assembly is fast

**Applications:**

Irrigation system, railway industry, building machines, pumps and filters, Sealing pipe

**Materials:** W3, W4, W5

**Bandwidths:** 9mm, 12mm

Specifications & ordering information							
Width (mm)	Designation	Band length		S (mm)	Product No.		
		D (mm)	D (in)		W3	W4	W5
9	MCR GT-QR 300/9	300	11 3/4	0.6	0947 301 003	0947 401 003	0947 501 003
	MCR GT-QR 3000/9	3000	118 1/8	0.6	0947 301 030	0947 401 030	0947 501 030
	MCR GT-QR 10000/9	10000	393 3/4	0.6	0947 301 100	0947 401 100	0947 501 100
12	MCR GT-QR 300/12	300	11 3/4	0.6	0947 302 003	0947 402 003	0947 502 003
	MCR GT-QR 3000/12	3000	118 1/8	0.6	0947 302 030	0947 402 030	0947 502 030
	MCR GT-QR 10000/12	10000	393 3/4	0.6	0947 302 100	0947 402 100	0947 502 100

## American quick release clamp in roll

This clamp is mainly used for maintenance. The box is equipped with uninterrupted steel band and accessories, which can adapt to various shapes and sizes of objects. Just cut the corresponding length from the whole roll steel band according to the actual demand, you can install the clamp by yourself, and it can be used repeatedly.

### Advantages:

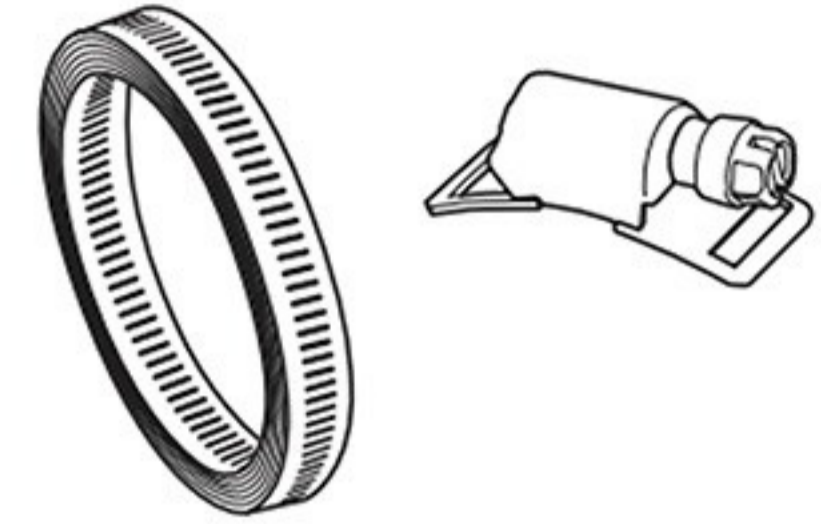
- Wide range of fastening
- Flexible
- Assembly is fast

### Applications:

Irrigation system, railway industry, building machines, pumps and filters, Sealing pipe

**Materials:** W3, W4, W5

**Bandwidths:** 8mm, 12.7mm, 14.2mm



## Specifications & ordering information

Width (mm)	Designation	Band length		S (mm)	Product No.		
		D (mm)	D (in)		W3	W4	W5
8	MCR AT-QR 300/9	300	11 3/4	0.6	0946 301 003	0946 401 003	0946 501 003
	MCR AT-QR 3000/9	3000	118 1/8	0.6	0946 301 030	0946 401 030	0946 501 030
	MCR AT-QR 10000/9	10000	393 3/4	0.6	0946 301 100	0946 401 100	0946 501 100
12.7	MCR AT-QR 300/12.7	300	11 3/4	0.65	0946 302 003	0946 402 003	0946 502 003
	MCR AT-QR 3000/12.7	3000	118 1/8	0.65	0946 302 030	0946 402 030	0946 502 030
	MCR AT-QR 10000/12.7	10000	393 3/4	0.65	0946 302 100	0946 402 100	0946 502 100
14.2	MCR AT-QR 300/14.2	300	11 3/4	0.65	0946 302 003	0946 402 003	0946 502 003
	MCR AT-QR 3000/14.2	3000	118 1/8	0.65	0946 302 030	0946 402 030	0946 502 030
	MCR AT-QR 10000/14.2	10000	393 3/4	0.65	0946 302 100	0946 402 100	0946 502 100

## Quick release pipe clamp



Quick-release clamps are safe, flexible connecting elements designed for use in applications requiring frequent and rapid closing and release of joints, such as filtration and filling systems for constant cleaning or food industry piping systems. The handle lever is configured for manual operation.

### Advantages:

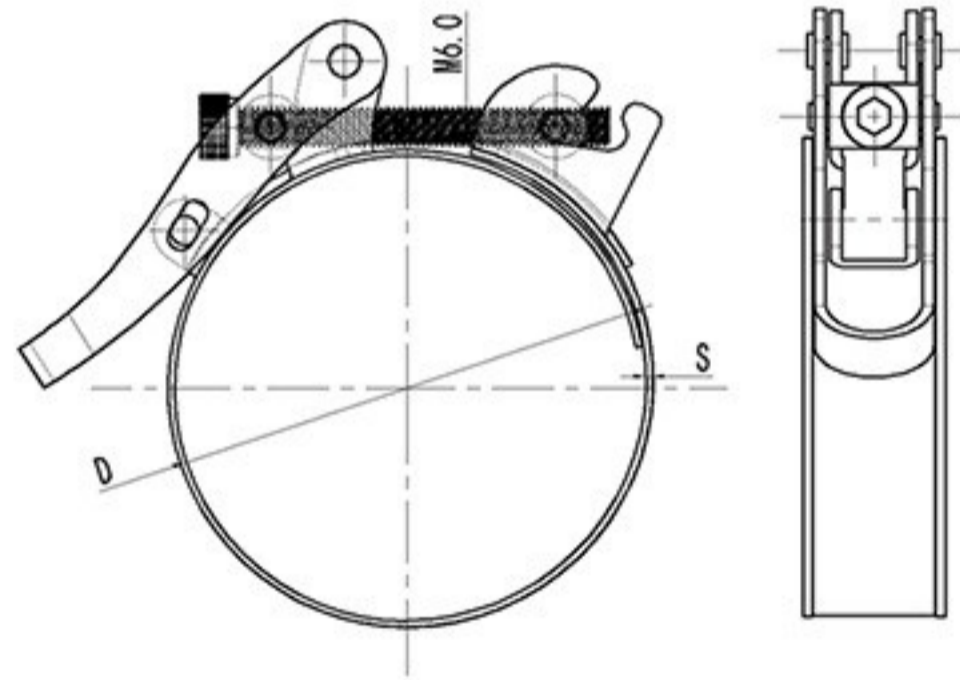
No tools are needed for assembly, suitable for areas requiring frequent disassembly

### Applications:

Mechanical manufacturing, chemical industry, food and beverage industry, railway industry, construction machinery, pumps and filters.

**Materials:** W2, W4, W5

**Bandwidths:** 22 mm



### Specifications & ordering information

Width (mm)	Designation	Clamping ranges		S (mm)	Product No.		
		D (mm)	D (in)		W2	W4	W5
22	MCR QP 100/22	100	3 15/16	0.8	0945 201 100	0945 401 100	0945 501 100
	MCR QP 120/22	120	4 3/4	0.8	0945 201 120	0945 401 120	0945 501 120
	MCR QP 140/22	140	5 1/2	0.8	0945 201 140	0945 401 140	0945 501 140
	MCR QP 160/22	160	6 5/16	0.8	0945 201 160	0945 401 160	0945 501 160
	MCR QP 180/22	180	7 1/16	0.8	0945 201 180	0945 401 180	0945 501 180
	MCR QP 200/22	200	7 7/8	0.8	0945 201 200	0945 401 200	0945 501 200
	MCR QP 220/22	220	8 11/16	0.8	0945 201 220	0945 401 220	0945 501 220
	MCR QP 240/22	240	9 7/16	0.8	0945 201 240	0945 401 240	0945 501 240
	MCR QP 260/22	260	10 1/4	0.8	0945 201 260	0945 401 260	0945 501 260
	MCR QP 280/22	280	11	0.8	0945 201 280	0945 401 280	0945 501 280
	MCR QP 300/22	300	11 13/16	0.8	0945 201 300	0945 401 300	0945 501 300
	MCR QP 320/22	320	12 5/8	0.8	0945 201 320	0945 401 320	0945 501 320
	MCR QP 340/22	340	13 3/8	0.8	0945 201 340	0945 401 340	0945 501 340
	MCR QP 360/22	360	14 3/16	0.8	0945 201 360	0945 401 360	0945 501 360
	MCR QP 380/22	380	14 15/16	0.8	0945 201 380	0945 401 380	0945 501 380
	MCR QP 400/22	400	15 3/4	0.8	0945 201 400	0945 401 400	0945 501 400
	MCR QP 420/22	420	16 9/16	0.8	0945 201 420	0945 401 420	0945 501 420
	MCR QP 440/22	440	17 5/16	0.8	0945 201 440	0945 401 440	0945 501 440
	MCR QP 460/22	460	18 1/8	0.8	0945 201 460	0945 401 460	0945 501 460
	MCR QP 480/22	480	18 7/8	0.8	0945 201 480	0945 401 480	0945 501 480
MCR QP 500/22	500	19 11/16	0.8	0945 201 500	0945 401 500	0945 501 500	
MCR QP .../22	...	...	0.8	0945 201 ...	0945 401 ...	0945 501 ...	